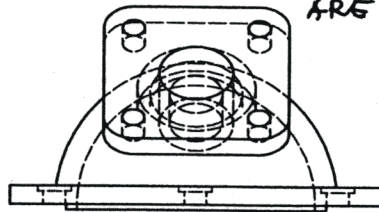
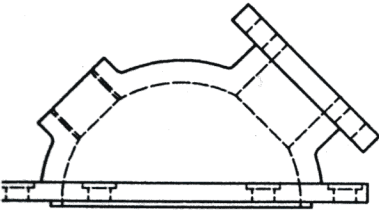


TITLE BLOCK

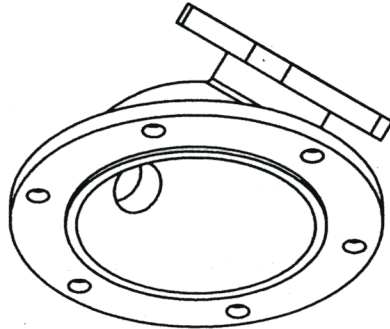
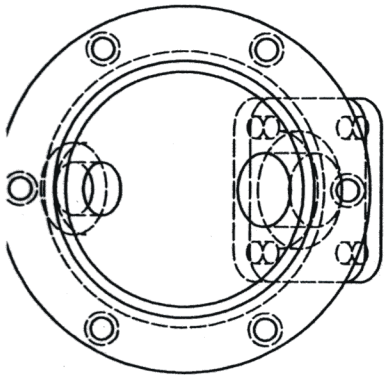
1. Drawing number – file name without extension
2. CAD FILE NAME – full file name
3. Top line of drawing name – File→iProperty→Summary tab→Title
4. Bottom line of drawing name -- File→iProperty→Project tab→Project
5. DRAWN BY -- File →iProperty→Project tab →Designer
6. DRAWN FOR -- File→iProperty→Project tab→Engineer
7. DATE -- File →iProperty→Project tab →Creation Date
8. CHECKED BY -- File →iProperty→Status tab→Checked By
9. APPROVED BY -- File →iProperty→Status tab→Eng. Approved By
10. PLOT DATE -- File →iProperty→Custom tab – Highlite “Plot Date”, in Value put check-mark in check box, click Modify, click OK
11. PRINT SISTR. (1st line) -- File→iProperty→Custom tab – Highlite “PrintDistr1”, in Value put initials, click Modify, click OK. There are eight lines here.
12. REV. – TBD
13. SCALE – TBD



RevTab
(sketched symbol)
ALL VALUES
ARE PROMPTED

REVISIONS				
SYM.	ZONE	DESCRIPTION	DATE	APP.
A	D5	SOME PARTS REMOVED.	8/4/03	VM
B	C3	DIMENSION 34.56 WAS 56.45; DIM. 0.24 WAS 0.35; DIA. 3.4 WAS 5.7. ITEMS 22 AND 23 ADDED.	8/5/03	VM
C	B3	DIMENSION DIMENSION	8/6/03	TOC

AS YOU SEE CAN BE
1, 2 OR 3 LINES OF
TEXT IN "DESCRIPTION"
BOX.



Part Info
(sketched symbol)

② CYLINDER HEAD
FILE NAME: 6070-036
SHEET NO.: 1
DFT. SCALE: 1:1
MATERIAL: STEEL
QTY: 1
NOTES: 1. REMOVE BURRS.
2. PAINT OUTER SURFACE IN BLUE.

PUT THESE AUTOMATICALLY
THE REST ARE PROMPTED VALUES

UP TO 4 LINES OF NOTES NOW
(CAN BE INCREASED)

PART
THESE PROPERTIES ARE:

PART NUMBER	DESCRIPTION	VENDOR
10	Nut B	FLAT NUT, THIN - M16 X 1.5
9	Nut A	FLAT NUT, REG - M16 X 1.5
8	Spring	SPRING - Ø1 X Ø22 X 25
7	Washer B	RETAINING WASHER
6	Washer A	RETAINING WASHER
5	Diaphragm	DIAPHRAGM
4	Pin	THREADED PIN
3	Valve plate	VALVE PLATE
2	Cyl Head	CYLINDER HEAD
1	Cylinder	CYLINDER

ITEM	DWG. NO.	DESCRIPTION	QUANTITY			REMARKS	REV.
				G1	G2	G3	
10		Nut B	1				
9		Nut A	1				McMASTER CARR'S 1234D65A08
8		Spring	1				
7		Washer B	1				
6		Washer A	1				
5		Diaphragm	1				
4		Pin	1				
3		Valve plate	1				
2		Cyl Head	1				
1		Cylinder	1				

ALL OTHERS ARE FROM DRAWING PROPERTIES

CREATION DATE

(SHEET PROPERTIES)

(DRAWING PROPERTIES)

SHEET NUMBER

NUMBER OF SHEETS

D SH. NO. 1 OF 1 6070-036 REV. A	PRINT DISTR. PLOT DATE: 7/27/2003 CAD FILE NAME: 6070-036.idw UNLESS OTHERWISE SPECIFIED DIMENSIONS ARE IN INCHES TOLERANCES ON: .00 ± .010 .00 ± .005 FRACTIONS ± 1/64 ANGLES ± 0.5 ALL SURFACES	- PLOT DATE (CUSTOM PROPERTY) - FILE NAME CORNELL UNIVERSITY LEPP LABORATORY FOR ELEMENTARY-PARTICLE PHYSICS CORNELL UNIVERSITY Floyd R. Newman Laboratory Ithaca, NY 14853 CESR-S WEST TUNNEL UPGRADE - TITLE WIGGLER SUPPORT - PROJECT	G1 G2 G3 QUANTITY REMARKS REV.	PART NUMBER 6070-036 SH. NO. 1 OF 1
---	---	--	---	---

DESIGNER 2 Engineer

FIRST VIEW SCALE (OTHER TOP)

REVISION NUMBER

