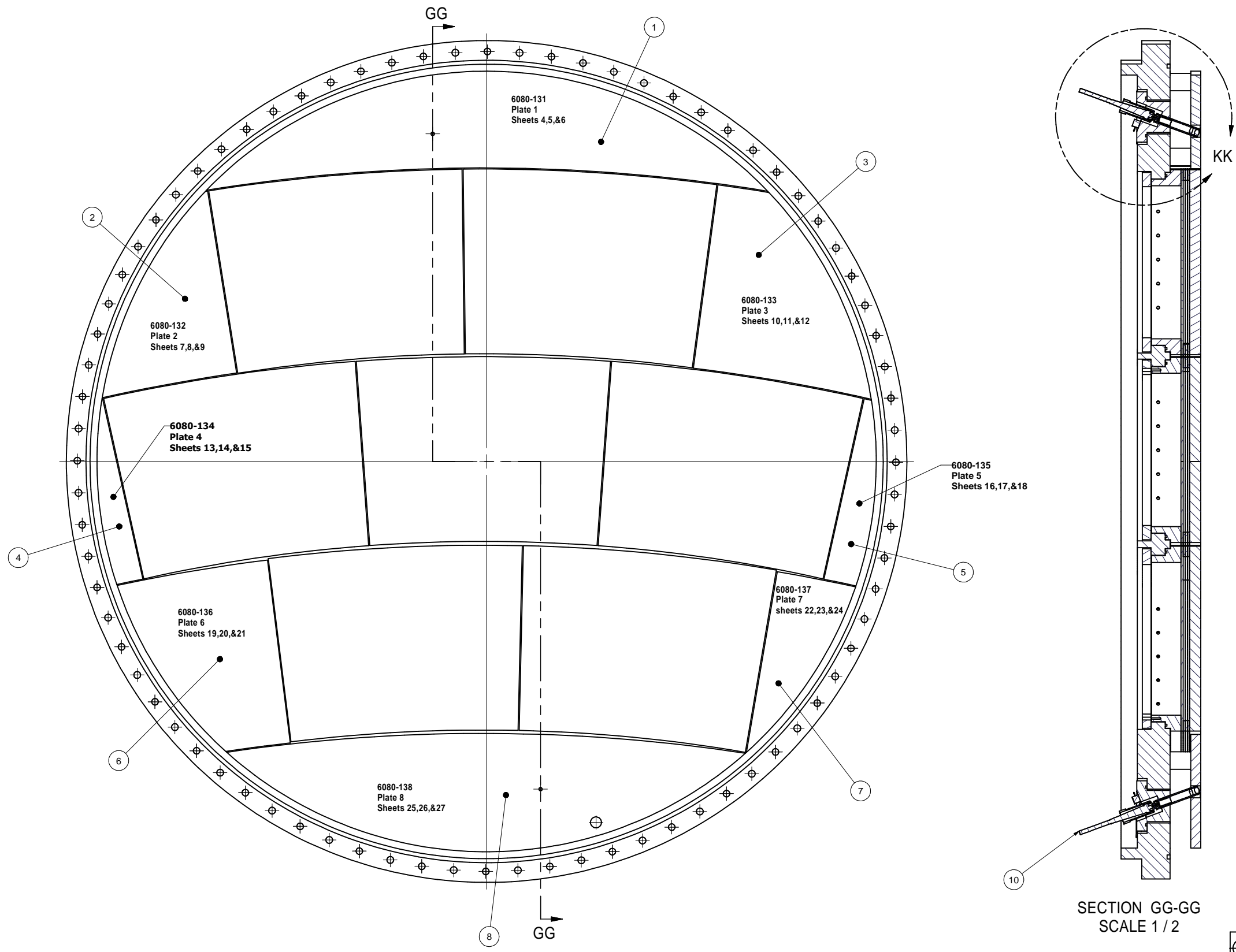


REVISIONS				
SYM.	ZONE	DESCRIPTION	DATE	APP.
A		Added U of Victoria Light Insert Assy, detected interference.	12.02.08	DPP



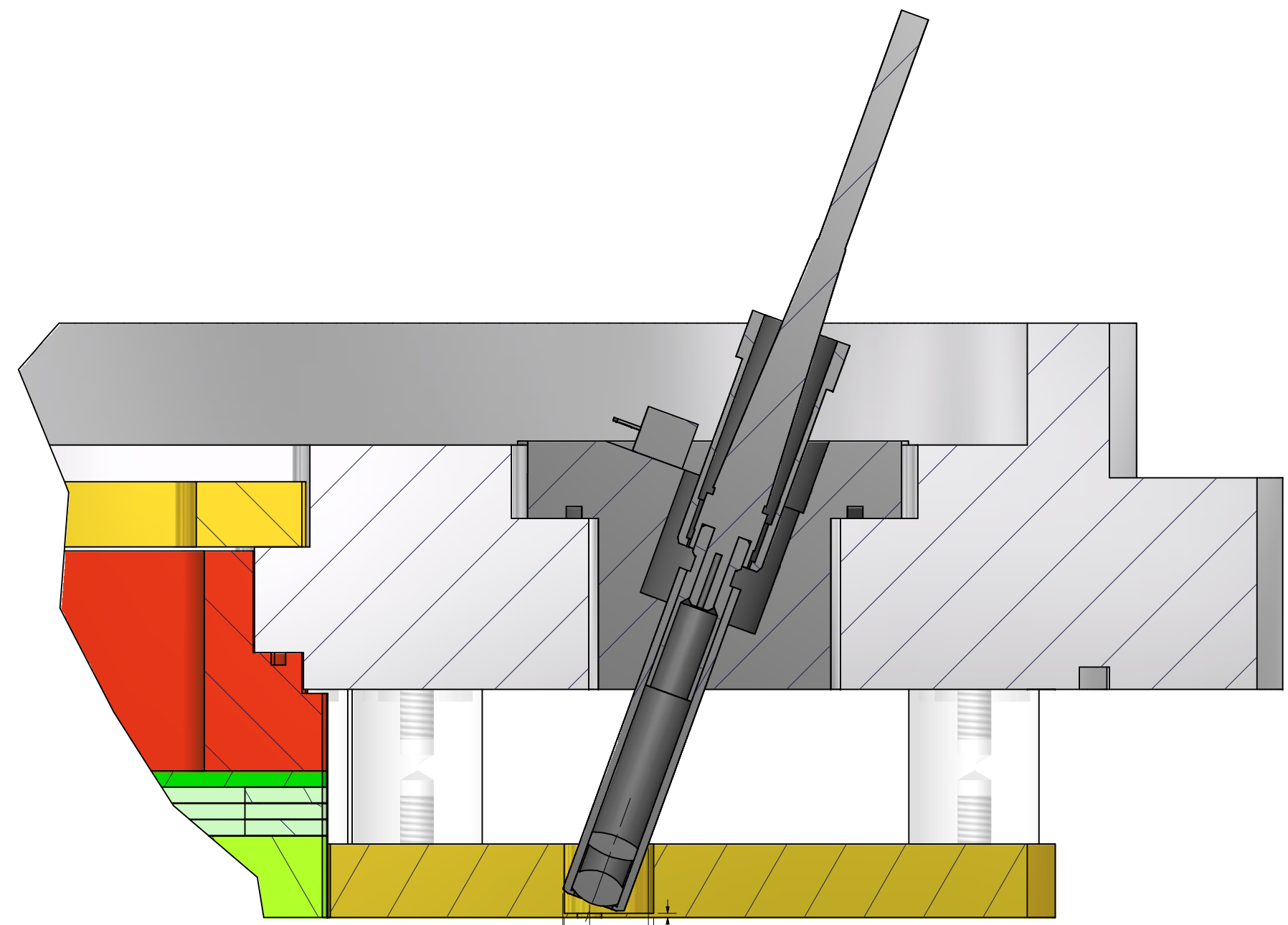
SCALE 1/2  
INSIDE

SECTION GG-GG  
SCALE 1/2

Parts List							
ITEM	PART NUMBER	DESCRIPTION	QTY	QOT	QTY	VENDOR	REVI
29	zx10c10z01 micro switch_OPTIONAL		2				
28	LENS INSERT MOUNT BLOCK		2				
27	f6.0_lens		2				
26	LENS TUBE		2				
25	f10.0_lens		2				
24	LENS SPACER		2				
23	THREAD INSERT		2				
10	SMA-905		2				
21	nut extension		2				
20	6080-128	Laser alignment	1				
19	6080-127	Victoria blank off	2				
12	6080-102	Endplate	1				
10	6080-125	Victoria Light Insert Assy	2				
9	6080-139	Fieldcage Termination Stand-Off	28				
8	6080-138	Fieldcage Termination Plate 8	1				
7	6080-137	Fieldcage Termination Plate 7	1				
6	6080-136	Fieldcage Termination Plate 6	1				
5	6080-135	Fieldcage Termination Plate 5	1				
4	6080-134	Fieldcage Termination Plate 4	1				
3	6080-133	Fieldcage Termination Plate 3	1				
2	6080-132	Fieldcage Termination Plate 2	1				
1	6080-131	Fieldcage Termination Plate 1	1				

ITEM	DWG. NO.	DESCRIPTION	G1	G2	G3	REMARKS	REV.
PRINT DISTR.			PLOT DATE: 12/2/2008 CAD FILE NAME: 6080-130 Field Cage Terminations.idw				
CR-1			UNLESS OTHERWISE SPECIFIED: DIMENSIONS ARE IN INCHES: TOLERANCES ON: .0 ± .02 .00 ± .010 .000 ± .005 FRACTIONS ± 1/32 ANGLES ± 0.5° ALL SURFACES				
6080-130				CORNELL UNIVERSITY Floyd R. Newman Laboratory Ithaca, NY 14853			
<b>Field Cage Termination Assembly</b>							
CHECKED BY: D. Peterson APPROVED BY: D. Peterson		DRAWN BY: MDS	DRAWN FOR: D. Peterson	DATE: 1/8/2008	SCALE: Noted	D	6080-130 SH. NO. 1 OF 27
							REV. A

REVISIONS				
SYM.	ZONE	DESCRIPTION	DATE	APP.
A		Added U of Victoria Light Insert Assy, detected interference.	12.02.08	DPP



0.179 mm  
[0.007 in]

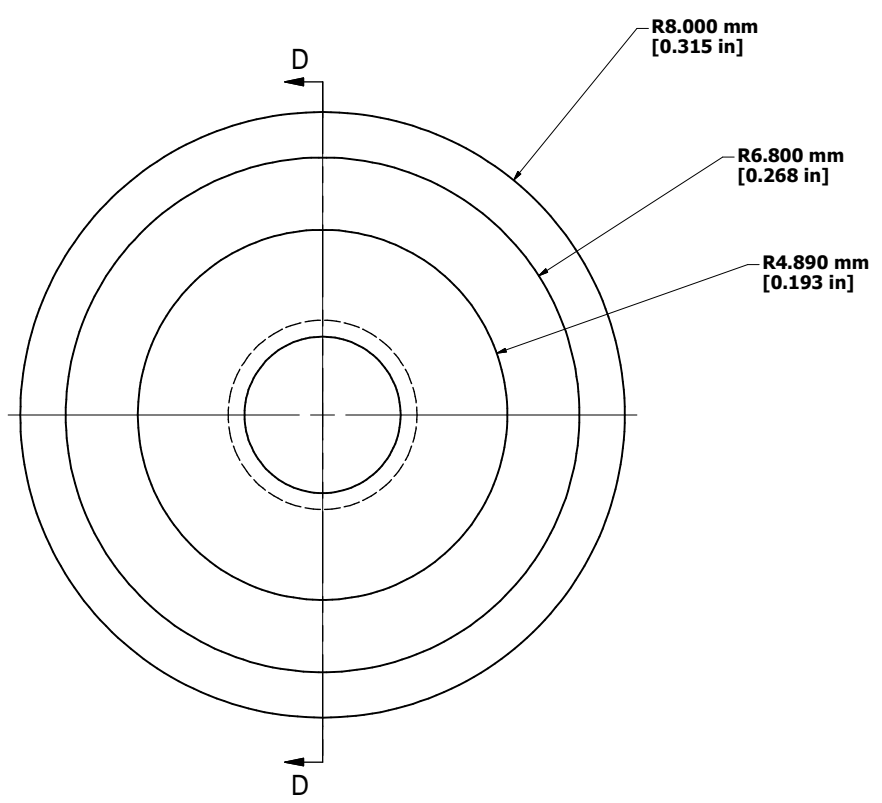
0.660 mm  
[0.026 in]

0.500 mm  
[0.020 in]  
REF

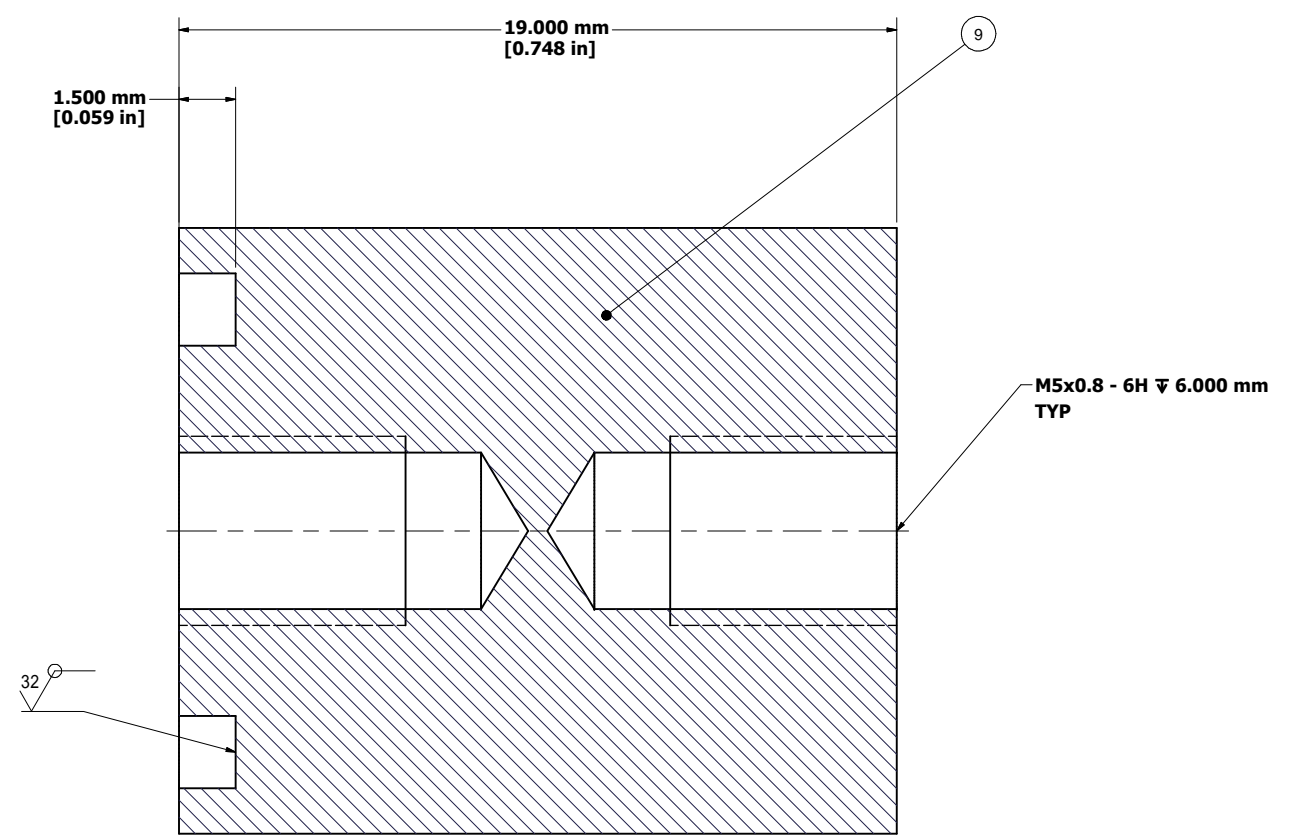
DETAIL KK  
SCALE 3 : 1

ITEM	DWG. NO.	DESCRIPTION	G1	G2	G3	REMARKS	REV.
			QUANTITY				
PRINT DISTR.	PLOT DATE: 12/2/2008 CAD FILE NAME: 6080-130 Field Cage Terminations.idw						
CR-1	UNLESS OTHERWISE SPECIFIED: DIMENSIONS ARE IN INCHES: TOLERANCES ON: .0 ± .02 .00 ± .010 .000 ± .005 FRACTIONS ± 1/32 ANGLES ± 0.5° ALL SURFACES				CORNELL UNIVERSITY Floyd R. Newman Laboratory Ithaca, NY 14853		
6080-130 SH. NO. 2 OF 27		Fieldcage Termination Plate Assembly					
CHECKED BY: D Peterson	DRAWN BY: MDS	DRAWN FOR: D. Peterson	DATE: 1/8/2008	SCALE: Noted	D	6080-130 SH. NO. 2 OF 27	REV. A
APPROVED BY: D. Peterson							

REVISIONS			
SYM.	ZONE	DESCRIPTION	DATE APP.



SCALE 10 : 1

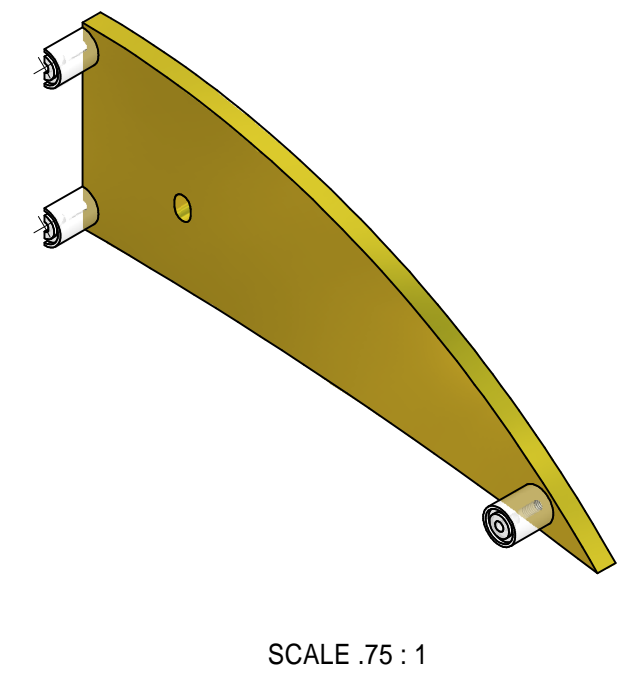
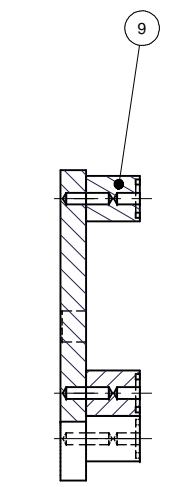
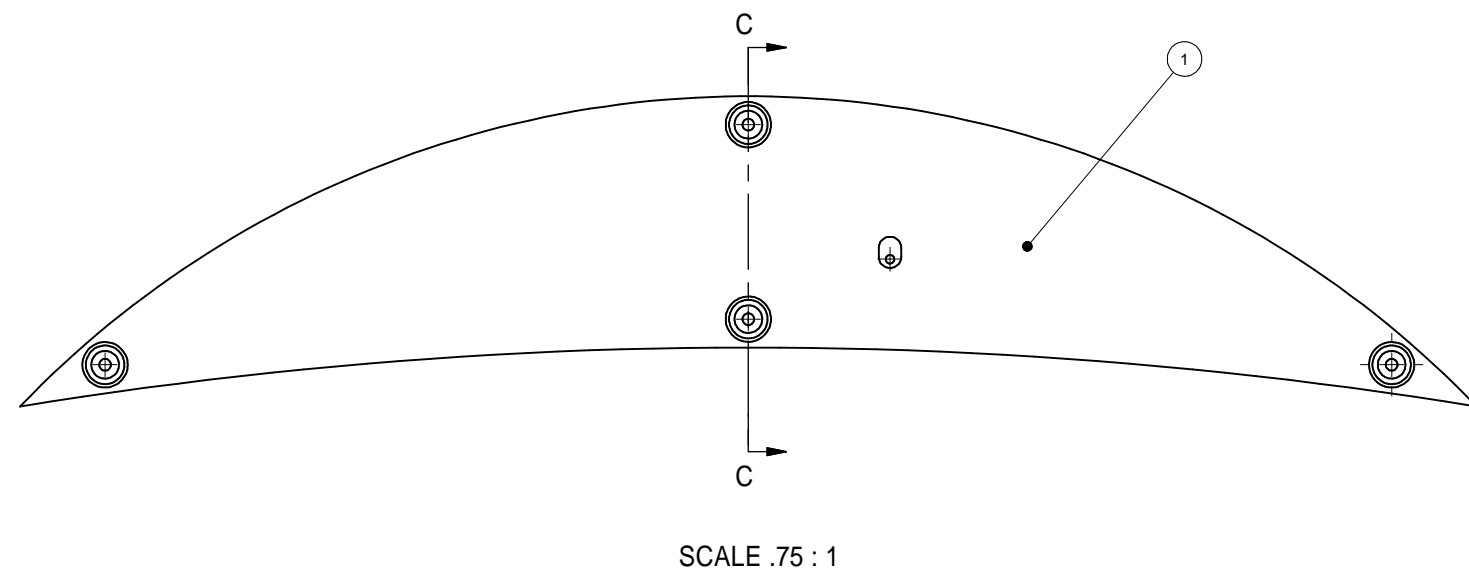


SECTION D-D  
SCALE 10 : 1

Material: Acrylic

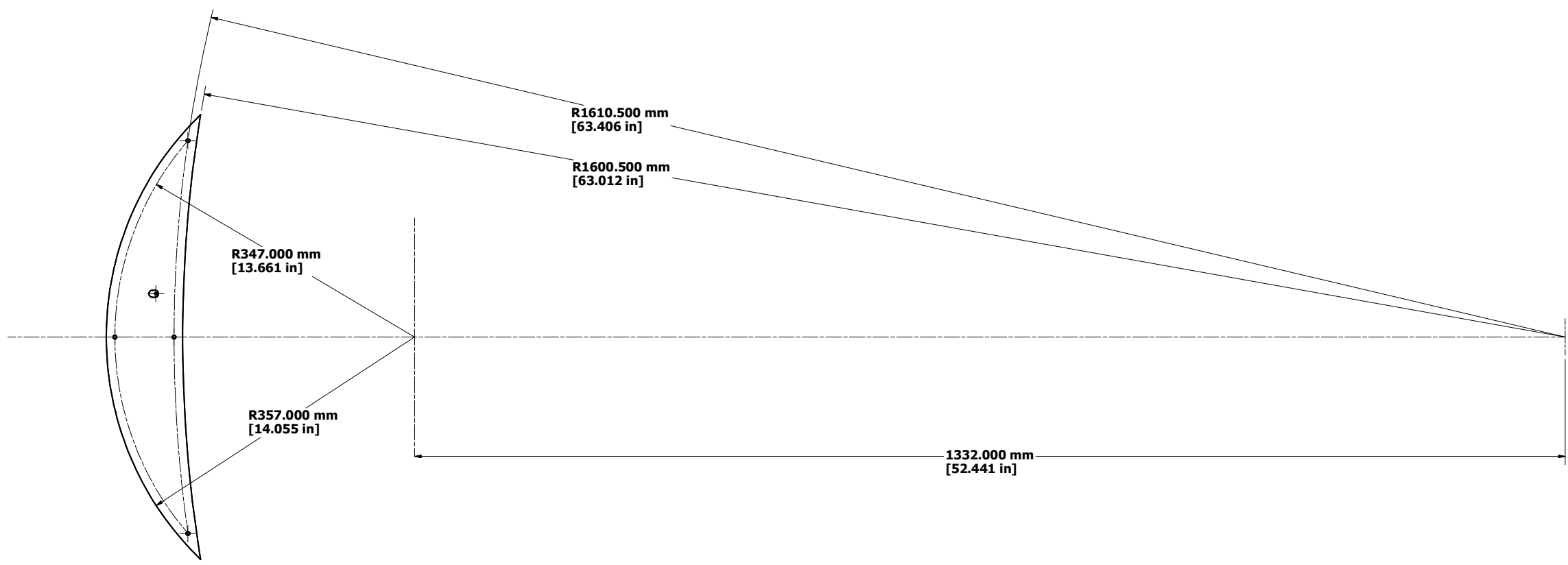
ITEM	DWG. NO.	DESCRIPTION	G1	G2	G3	REMARKS	REV.
			QUANTITY				
PRINT DISTR.	PLOT DATE: 12/2/2008 CAD FILE NAME: 6080-130 Field Cage Terminations.idw						
CR-1	UNLESS OTHERWISE SPECIFIED: DIMENSIONS ARE IN INCHES: TOLERANCES ON: .0 ± .02 .00 ± .010 .000 ± .005 FRACTIONS ± 1/32 ANGLES ± 0.5° ALL SURFACES ✓		 CORNELL UNIVERSITY FLOYD R. NEWMAN LABORATORY ITHACA, NY 14853				
6080-130 SH. NO. 3 OF 27	6080-130 Field Cage Termination Stand-off		D		6080-130 SH. NO. 3 OF 27		
REV.	CHECKED BY: D. Peterson	DRAWN BY: MDS	DRAWN FOR: D. Peterson	DATE: 1/8/2008	SCALE: Noted	D	REV.
	APPROVED BY: D. Peterson						

REVISIONS			
SYM.	ZONE	DESCRIPTION	DATE APP.



ITEM	DWG. NO.	DESCRIPTION	G1	G2	G3	REMARKS	REV.
			QUANTITY				
PRINT DISTR.	PLOT DATE: 12/2/2008 CAD FILE NAME: 6080-130 Field Cage Terminations.idw						
6080-130 SH. NO. 4 OF 27	CR-1	UNLESS OTHERWISE SPECIFIED: DIMENSIONS ARE IN INCHES: TOLERANCES ON: .0 ± .02 .00 ± .010 .000 ± .005 FRACTIONS ± 1/32 ANGLES ± 0.5° ALL SURFACES ✓			CORNELL UNIVERSITY Floyd R. Newman Laboratory Ithaca, NY 14853		
	6080-131 Field Cage Termination Plate 1 Assembly						
CHECKED BY: D. Peterson	DRAWN BY: MDS	DRAWN FOR: D. Peterson	DATE: 1/8/2008	SCALE: Noted	D	6080-130 SH. NO. 4 OF 27	REV.

REVISIONS			
SYM.	ZONE	DESCRIPTION	DATE APP.

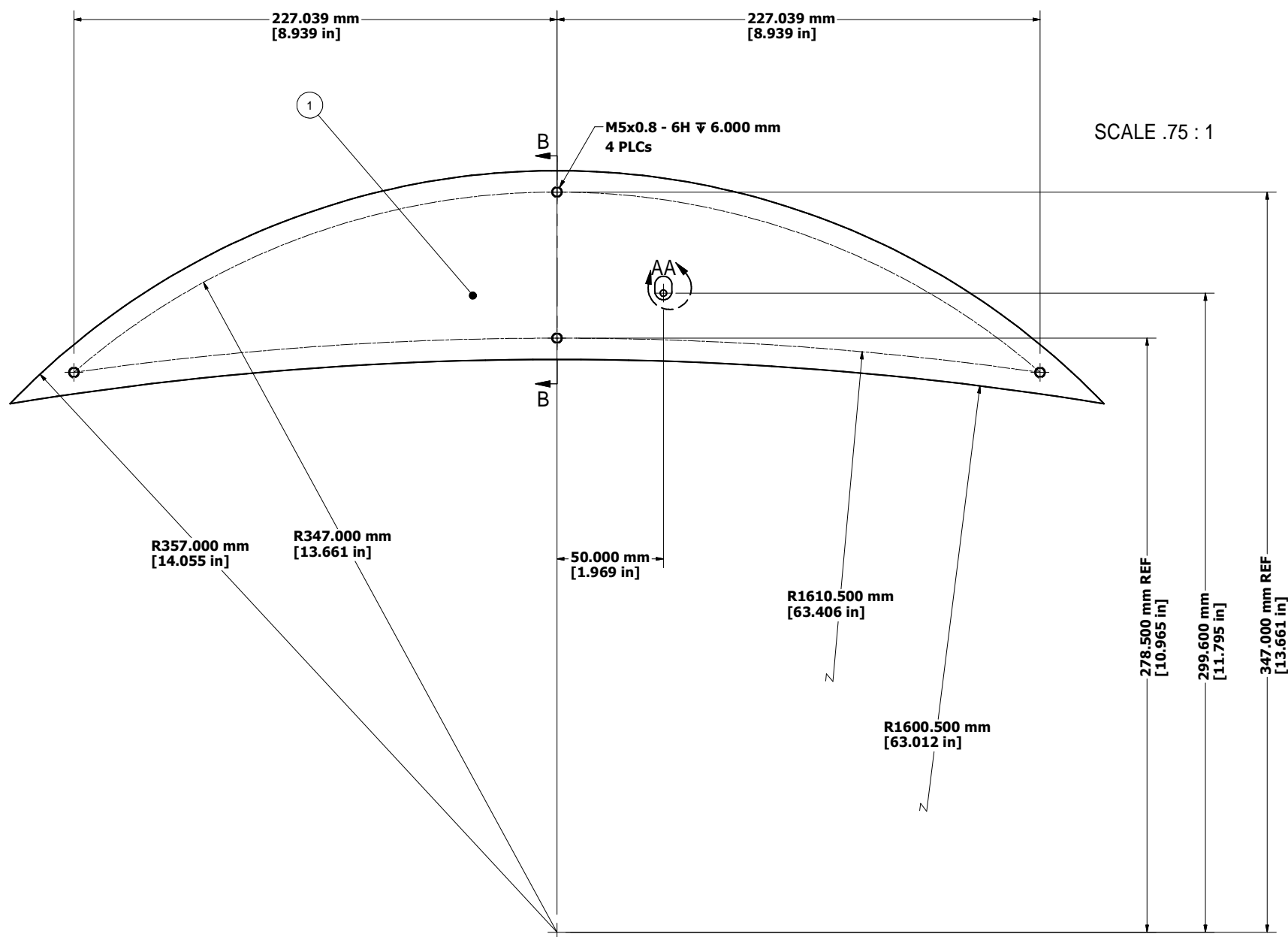


SCALE 1 / 3

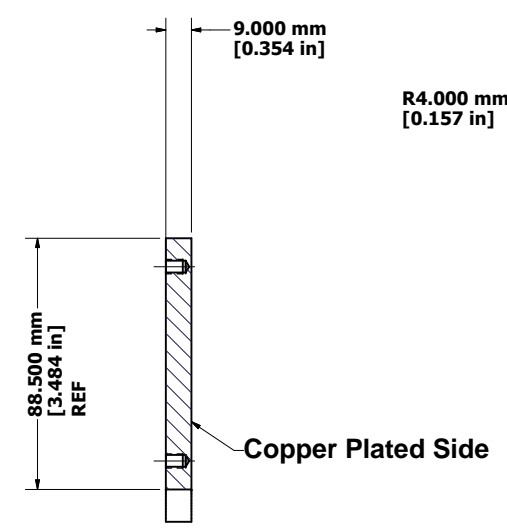
Material: G10/FR4, Copper Clad,  
1 ounce/square foot

ITEM	DWG. NO.	DESCRIPTION	G1	G2	G3	REMARKS	REV.
			QUANTITY				
PRINT DISTR.	PLOT DATE: 12/2/2008 CAD FILE NAME: 6080-130 Field Cage Terminations.idw						
CR-1	UNLESS OTHERWISE SPECIFIED: DIMENSIONS ARE IN INCHES: TOLERANCES ON: .0 ± .02 .00 ± .010 .000 ± .005 FRACTIONS ± 1/32 ANGLES ± 0.5° ALL SURFACES ✓				CORNELL UNIVERSITY Floyd R. Newman Laboratory Ithaca, NY 14853		
6080-130 SH. NO. 5 OF 27	6080-130 Field Cage Termination Plate 1						
REV.	CHECKED BY: D. Peterson	DRAWN BY: MDS	DRAWN FOR: D. Peterson	DATE: 1/8/2008	SCALE: Noted	D	6080-130 SH. NO. 5 OF 27

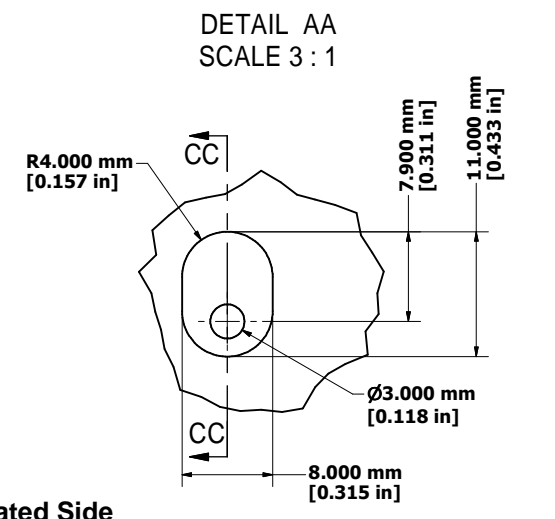
REVISIONS				
SYM.	ZONE	DESCRIPTION	DATE	APP.



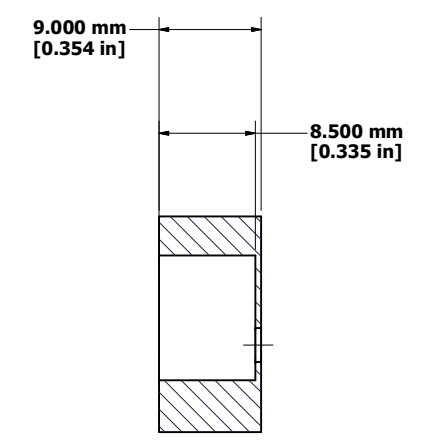
SCALE .75 : 1



SECTION B-B  
SCALE .75 : 1



DETAIL AA  
SCALE 3 : 1

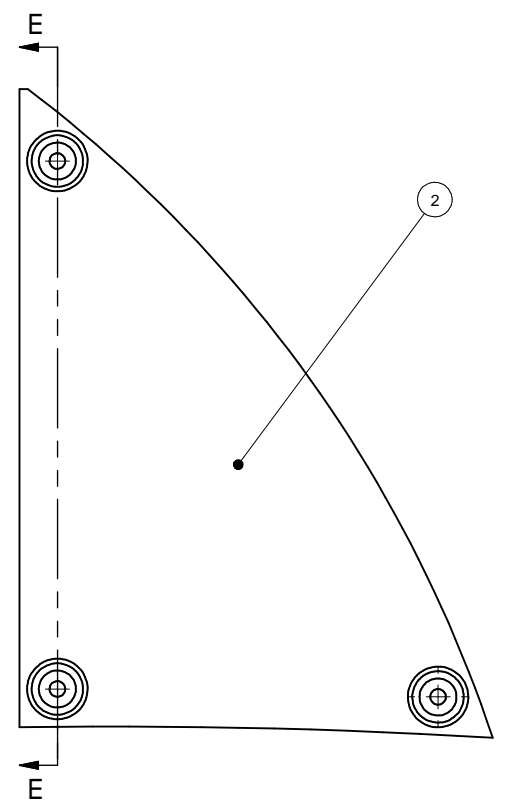


SECTION CC-CC  
SCALE 3 : 1

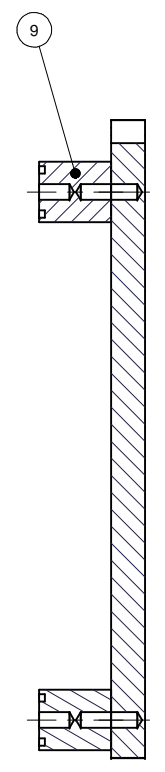
Material: G10/FR4, Copper Clad,  
1 ounce/square foot

ITEM	DWG. NO.	DESCRIPTION	G1	G2	G3	REMARKS	REV.
			QUANTITY				
PRINT DISTR.	PLOT DATE: 12/2/2008 CAD FILE NAME: 6080-130 Field Cage Terminations.idw						
CR-1	UNLESS OTHERWISE SPECIFIED: DIMENSIONS ARE IN INCHES: TOLERANCES ON: .0 ± .02 .00 ± .010 .000 ± .005 FRACTIONS ± 1/32 ANGLES ± 0.5° ALL SURFACES		 CORNELL UNIVERSITY Floyd R. Newman Laboratory Ithaca, NY 14853				
6080-130	6080-131 Field Cage Termination Plate 1						
REV.	CHECKED BY: D. Peterson	DRAWN BY: MDS	DRAWN FOR: D. Peterson	DATE: 1/8/2008	SCALE: Noted	D	6080-130 SH. NO. 6 OF 27

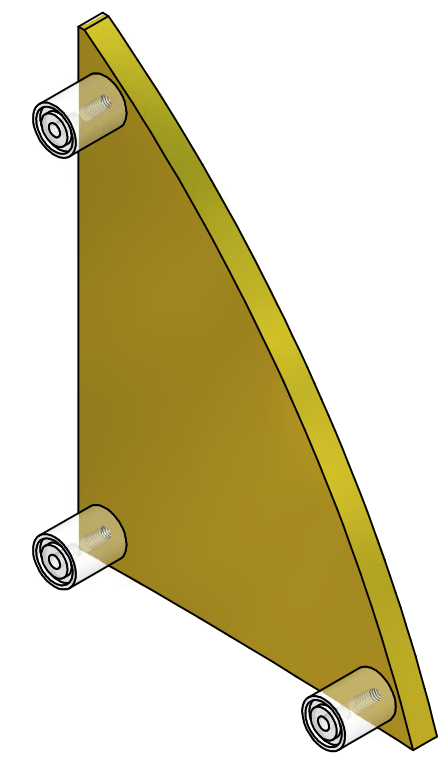
REVISIONS			
SYM.	ZONE	DESCRIPTION	DATE APP.



SCALE 1 : 1



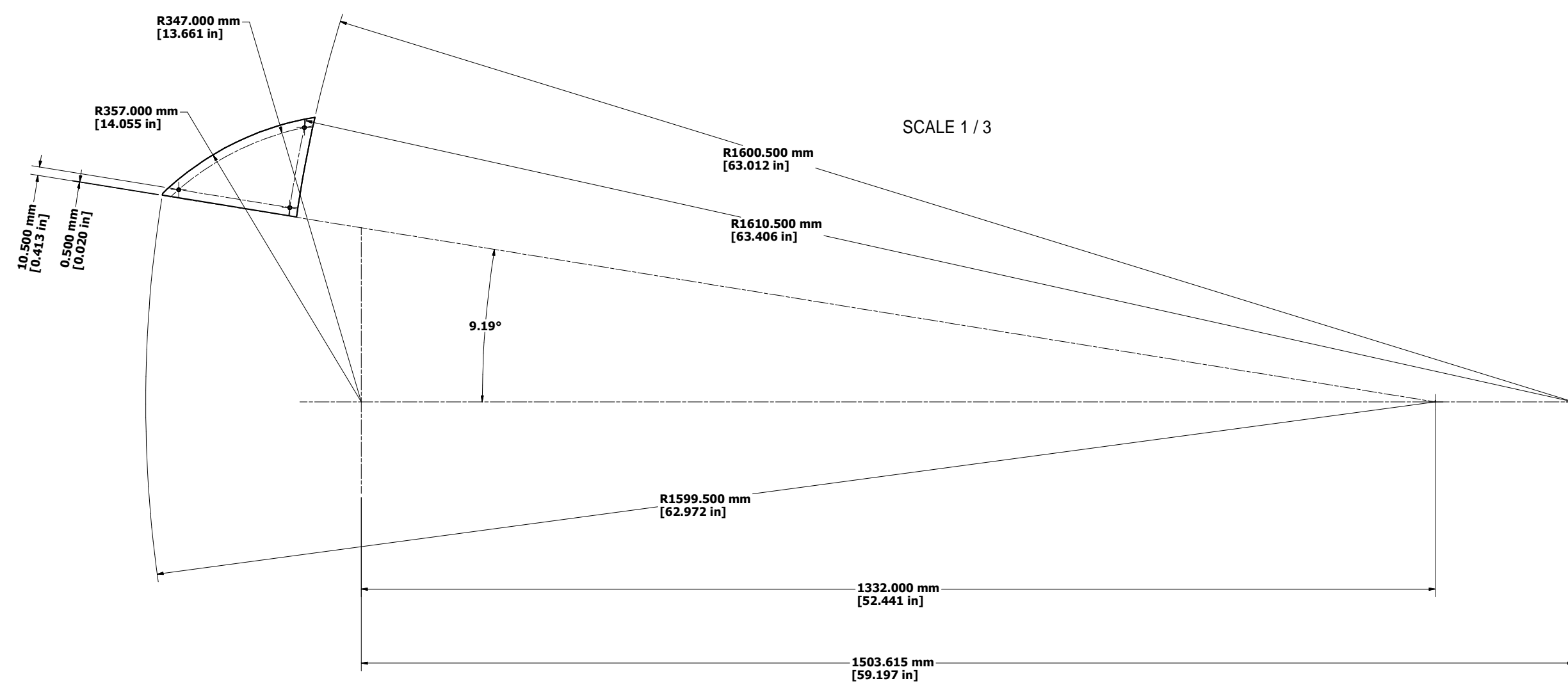
SECTION E-E  
SCALE 1 : 1



SCALE 1 : 1

ITEM	DWG. NO.	DESCRIPTION	G1	G2	G3	REMARKS	REV.
			QUANTITY				
PRINT DISTR.	PLOT DATE: 12/2/2008 CAD FILE NAME: 6080-130 Field Cage Terminations.idw						
D 6080-130 SH. NO. 7 OF 27	CR-1	UNLESS OTHERWISE SPECIFIED: DIMENSIONS ARE IN INCHES: TOLERANCES ON: .0 ± .02 .00 ± .010 .000 ± .005 FRACTIONS ± 1/32 ANGLES ± 0.5° ALL SURFACES			CORNELL UNIVERSITY Floyd R. Newman Laboratory Ithaca, NY 14853		
	6080-130 Field Cage Termination Plate 2 Assembly						
CHECKED BY: D. Peterson	DRAWN BY: MDS	DRAWN FOR: D. Peterson	DATE: 1/8/2008	SCALE: Noted	D	6080-130 SH. NO. 7 OF 27	REV.

REVISIONS				
SYM.	ZONE	DESCRIPTION	DATE	APP.

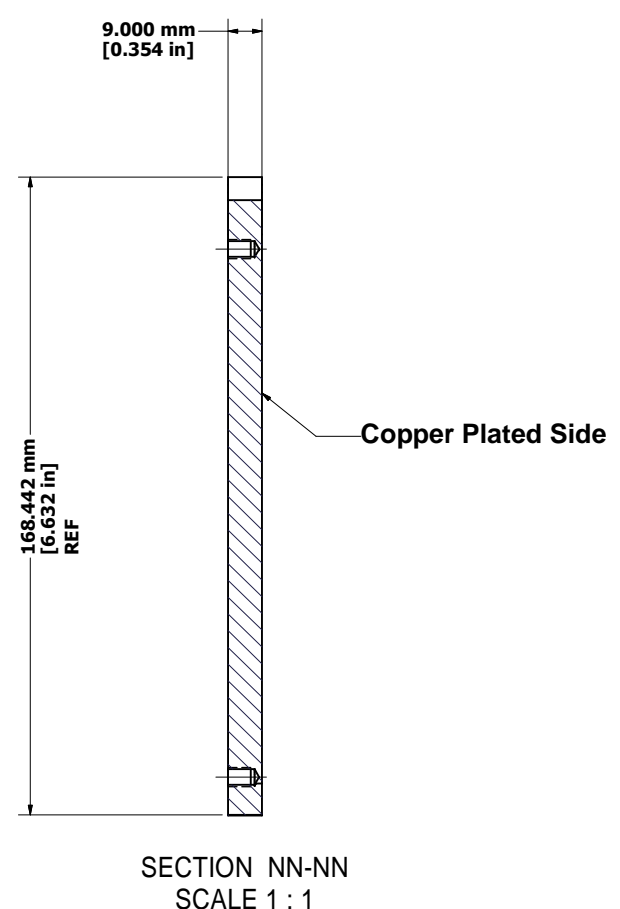
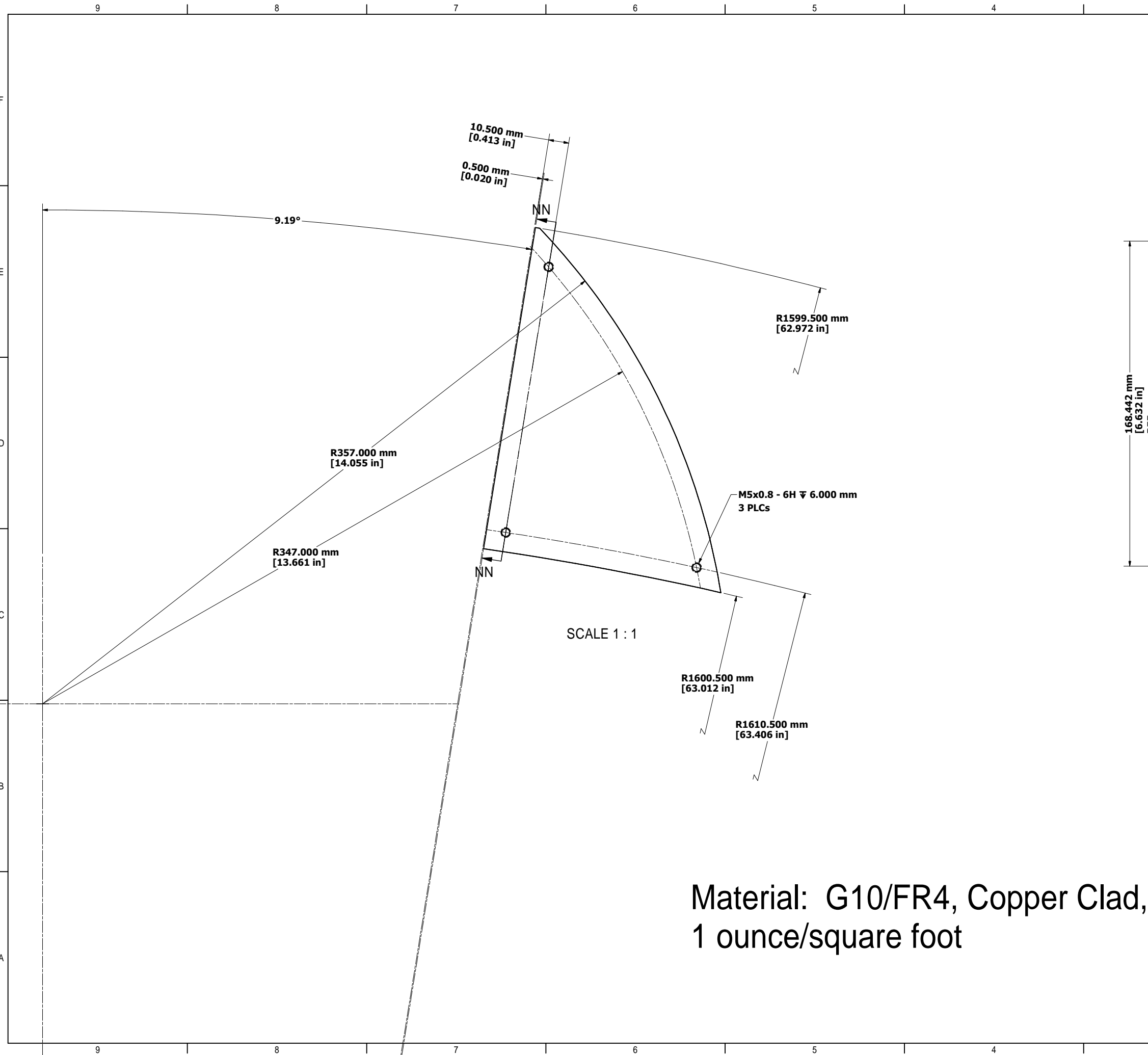


Material: G10/FR4, Copper Clad,  
1 ounce/square foot

ITEM	DWG. NO.	DESCRIPTION	G1	G2	G3	REMARKS	REV.
			QUANTITY				
PRINT DISTR.	PLOT DATE: 12/2/2008 CAD FILE NAME: 6080-130 Field Cage Terminations.idw						
CR-1	UNLESS OTHERWISE SPECIFIED: DIMENSIONS ARE IN INCHES: TOLERANCES ON: .0 ± .02 .00 ± .010 .000 ± .005 FRACTIONS ± 1/32 ANGLES ± 0.5° ALL SURFACES ✓					CORNELL UNIVERSITY Floyd R. Newman Laboratory Ithaca, NY 14853	
6080-130 SH. NO. 8 OF 27	6080-130 Field Cage Termination Plate 2						
REV.	CHECKED BY: D. Peterson	DRAWN BY: MDS	DRAWN FOR: D. Peterson	DATE: 1/8/2008	SCALE: Noted	D	6080-130 SH. NO. 8 OF 27



REVISIONS			
SYM.	ZONE	DESCRIPTION	DATE APP.

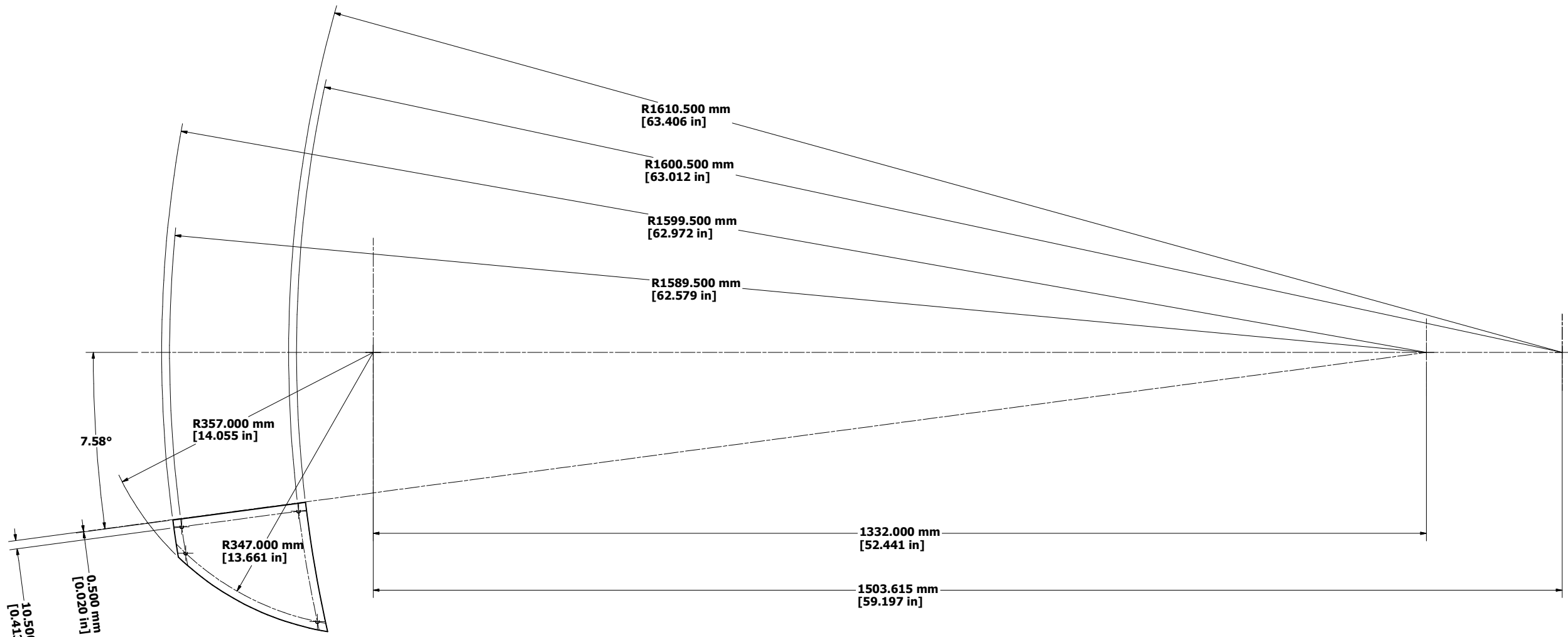


Material: G10/FR4, Copper Clad,  
1 ounce/square foot

ITEM	DWG. NO.	DESCRIPTION	G1	G2	G3	REMARKS	REV.			
			QUANTITY							
PRINT DISTR.	PLOT DATE: 12/2/2008 CAD FILE NAME: 6080-130 Field Cage Terminations.idw									
CR-1	UNLESS OTHERWISE SPECIFIED: DIMENSIONS ARE IN INCHES: TOLERANCES ON: .0 ± .02 .00 ± .010 .000 ± .005 FRACTIONS ± 1/32 ANGLES ± 0.5° ALL SURFACES ✓									
6080-130 SH. NO. 9 OF 27	CORNELL UNIVERSITY LEPP LABORATORY FOR ELEMENTARY-PARTICLE PHYSICS		CORNELL UNIVERSITY Floyd R. Newman Laboratory Ithaca, NY 14853							
REV.	6080-130 Field Cage Termination Plate 2		CHECKED BY: D. Peterson	DRAWN BY: MDS	DRAWN FOR: D. Peterson	DATE: 1/8/2008	SCALE: Noted	D	6080-130 SH. NO. 9 OF 27	REV.



REVISIONS			
SYM.	ZONE	DESCRIPTION	DATE APP.

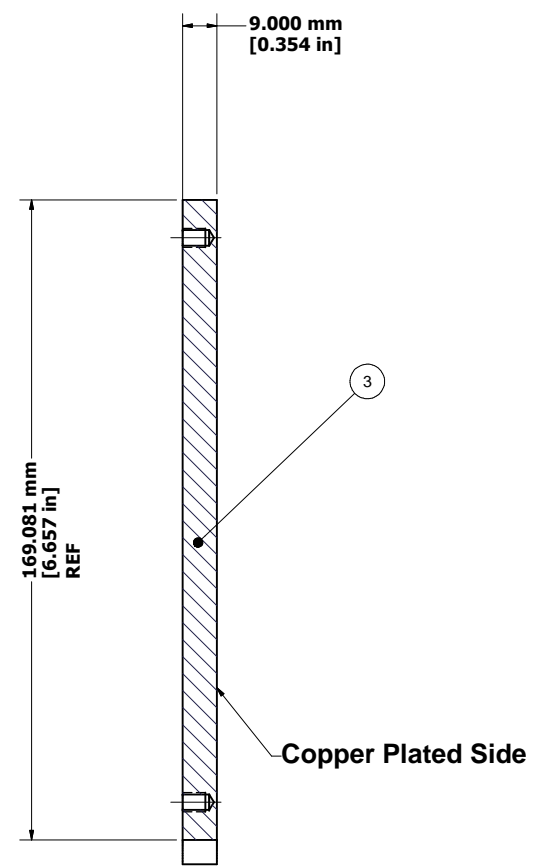
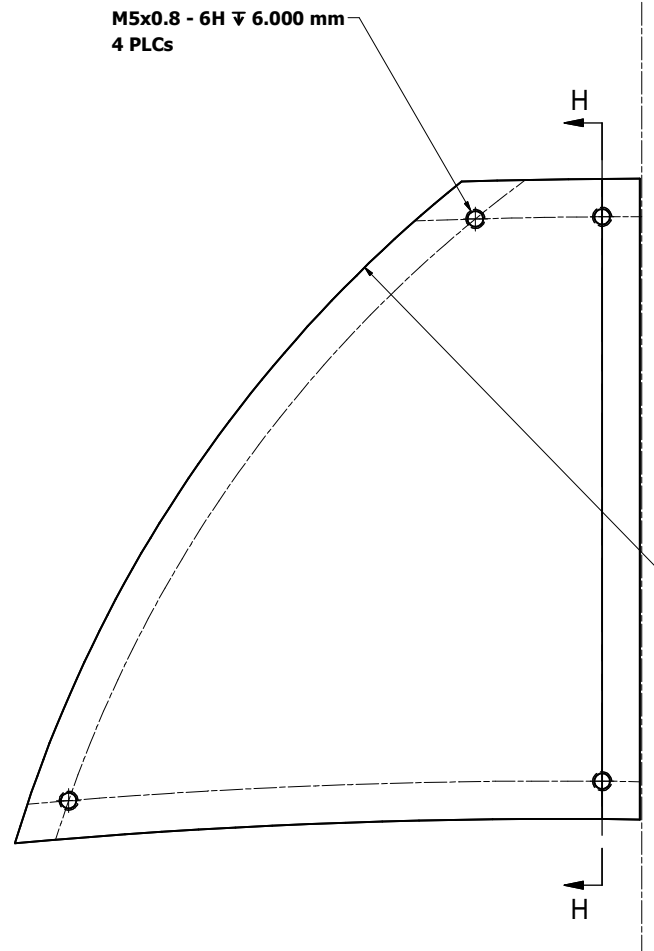


SCALE 1 / 3

Material: G10/FR4, Copper Clad,  
1 ounce/square foot

ITEM	DWG. NO.	DESCRIPTION	G1	G2	G3	REMARKS	REV.
			QUANTITY				
PRINT DISTR.	PLOT DATE: 12/2/2008 CAD FILE NAME: 6080-130 Field Cage Terminations.idw						
CR-1	UNLESS OTHERWISE SPECIFIED: DIMENSIONS ARE IN INCHES: TOLERANCES ON: .0 ± .02 .00 ± .010 .000 ± .005 FRACTIONS ± 1/32 ANGLES ± 0.5° ALL SURFACES ✓				CORNELL UNIVERSITY Floyd R. Newman Laboratory Ithaca, NY 14853		
6080-130 SH. NO. 11 OF 27	6080-130 Field Cage Termination Plate 3						
REV.	CHECKED BY: D. Peterson	DRAWN BY: MDS	DRAWN FOR: D. Peterson	DATE: 1/8/2008	SCALE: Noted	D	6080-130 SH. NO. 11 OF 27

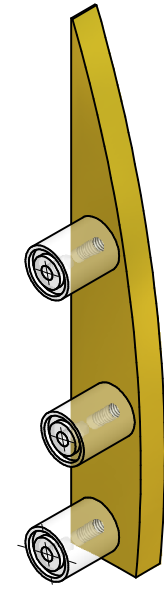
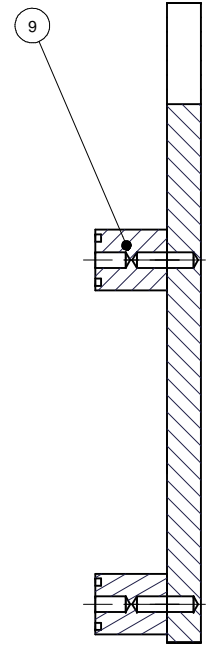
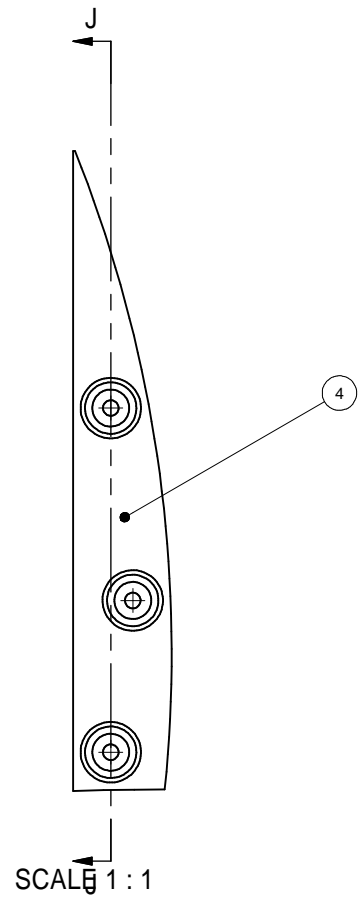
REVISIONS			
SYM.	ZONE	DESCRIPTION	DATE APP.



Material: G10/FR4, Copper Clad,  
1 ounce/square foot

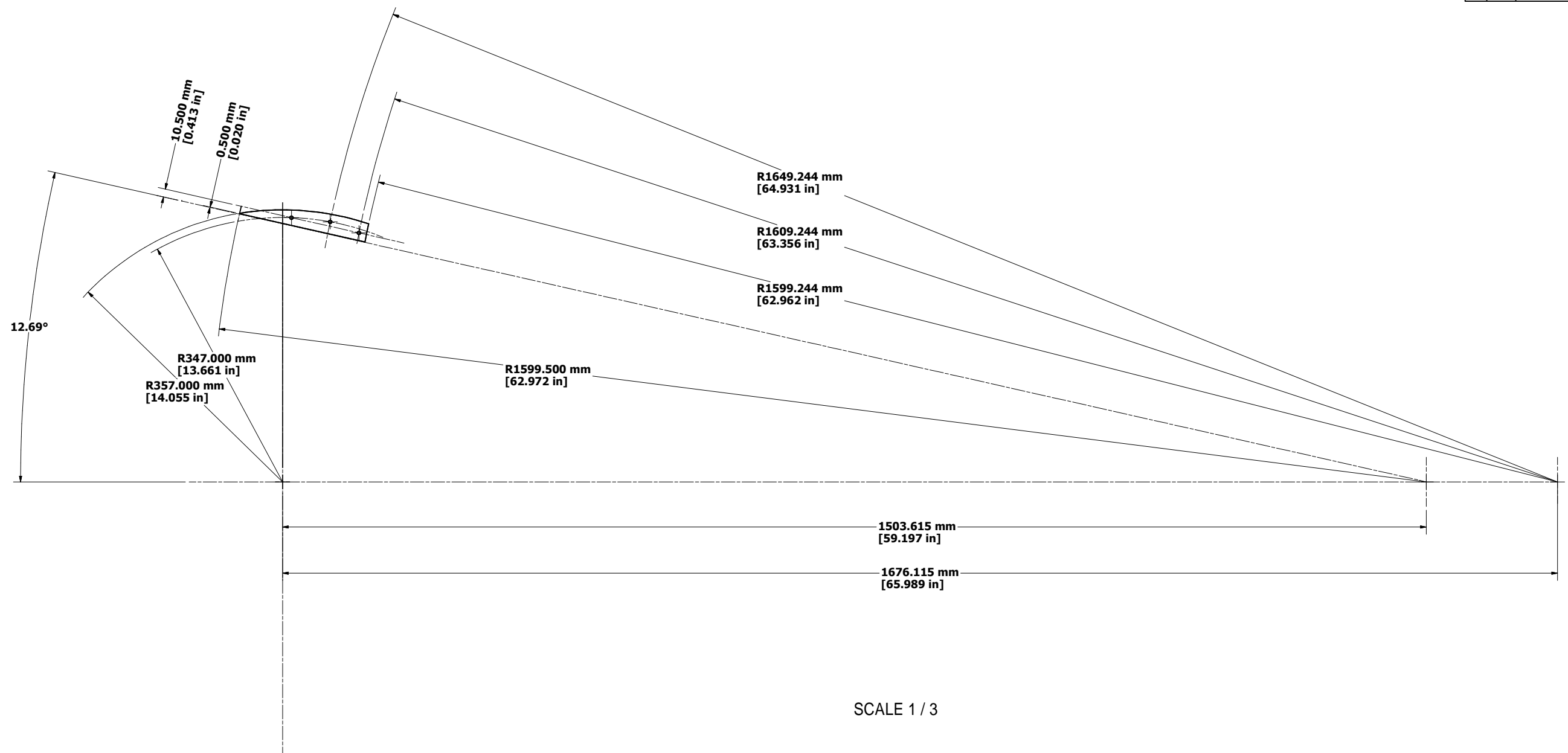
ITEM	DWG. NO.	DESCRIPTION	G1	G2	G3	REMARKS	REV.
			QUANTITY				
PRINT DISTR.	PLOT DATE: 12/2/2008 CAD FILE NAME: 6080-130 Field Cage Terminations.idw						
CR-1	UNLESS OTHERWISE SPECIFIED: DIMENSIONS ARE IN INCHES: TOLERANCES ON: .0 ± .02 .00 ± .010 .000 ± .005 FRACTIONS ± 1/32 ANGLES ± 0.5° ALL SURFACES <input checked="" type="checkbox"/>		 CORNELL UNIVERSITY Floyd R. Newman Laboratory Ithaca, NY 14853				
6080-130 SH. NO. 12 OF 27	6080-130 Field Cage Termination Plate 3		 CORNELL UNIVERSITY Floyd R. Newman Laboratory Ithaca, NY 14853				
REV.	CHECKED BY: D. Peterson APPROVED BY: D. Peterson	DRAWN BY: MDS	DRAWN FOR: D. Peterson	DATE: 1/8/2008	SCALE: Noted	D	6080-130 SH. NO. 12 OF 27

REVISIONS			
SYM.	ZONE	DESCRIPTION	DATE APP.



REV.	PRINT DISTR.	ITEM	DWG. NO.	DESCRIPTION	G1	G2	G3	REMARKS	REV.	
					QUANTITY					
D	CR-1	6080-130	13	27	PLOT DATE: 12/2/2008 CAD FILE NAME: 6080-130 Field Cage Terminations.idw					
					UNLESS OTHERWISE SPECIFIED: DIMENSIONS ARE IN INCHES: TOLERANCES ON: .0 ± .02 .00 ± .010 .000 ± .005 FRACTIONS ± 1/32 ANGLES ± 0.5° ALL SURFACES ✓					
					<b>CORNELL UNIVERSITY</b> <b>LEPP</b> LABORATORY FOR ELEMENTARY-PARTICLE PHYSICS CORNELL UNIVERSITY Floyd R. Newman Laboratory Ithaca, NY 14853					
					<b>6080-134</b> <b>Field Cage Termination Plate 4 Assembly</b>					
					CHECKED BY: D. Peterson	DRAWN BY: MDS	DRAWN FOR: D. Peterson	DATE: 1/8/2008	SCALE: Noted	D
					APPROVED BY: D. Peterson					6080-130
										SH. NO. 13 OF 27

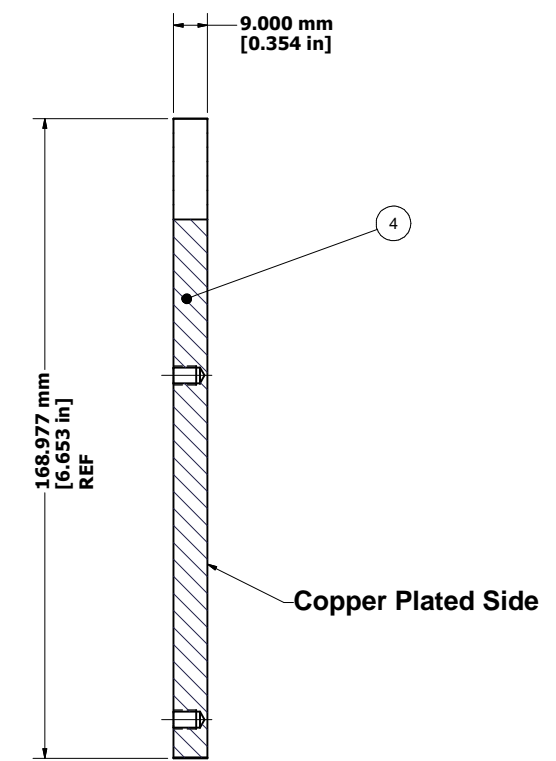
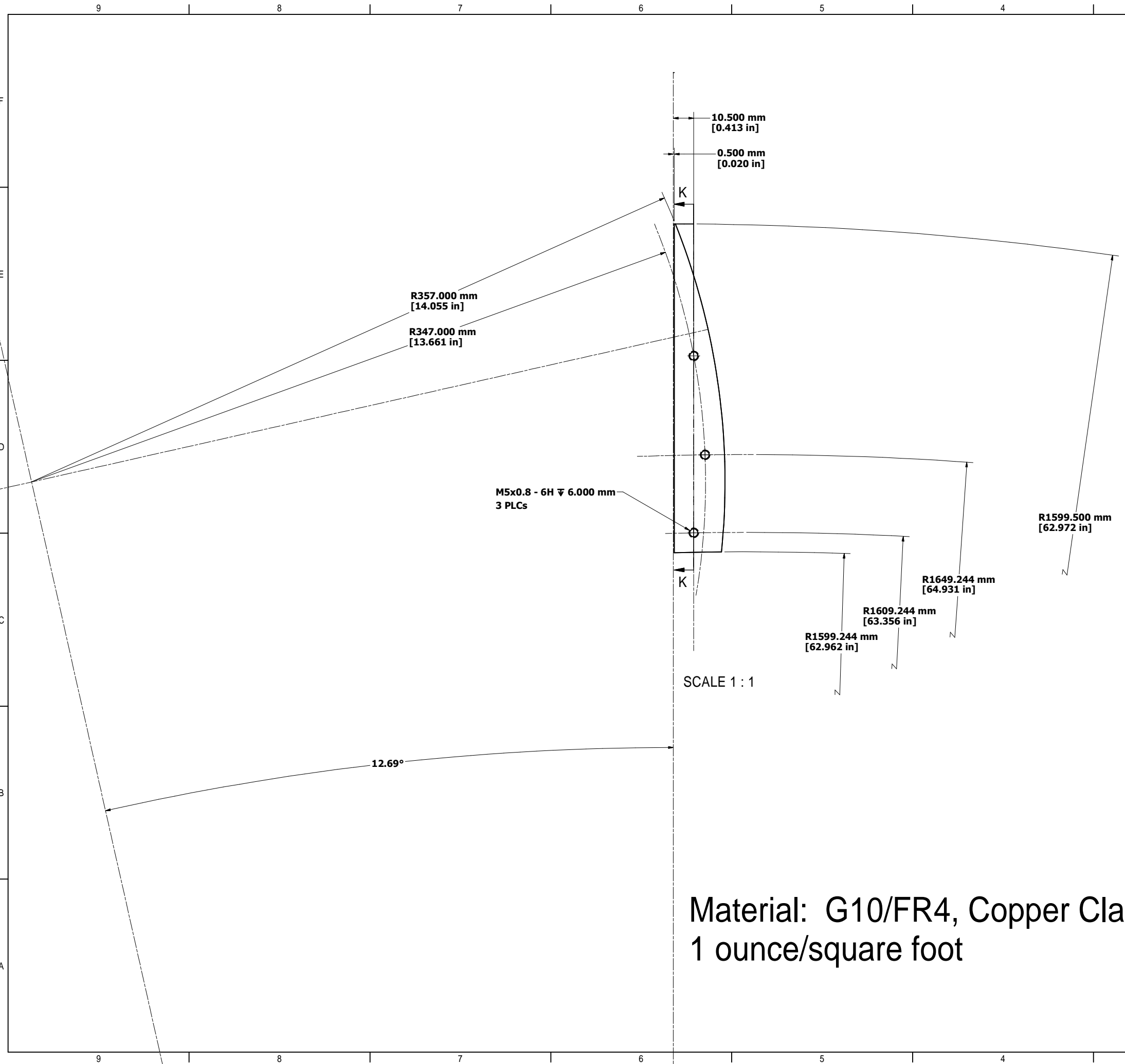
REVISIONS			
SYM.	ZONE	DESCRIPTION	DATE APP.



Material: G10/FR4, Copper Clad,  
1 ounce/square foot

ITEM	DWG. NO.	DESCRIPTION	G1	G2	G3	REMARKS	REV.
			QUANTITY				
PRINT DISTR.	PLOT DATE: 12/2/2008 CAD FILE NAME: 6080-130 Field Cage Terminations.idw						
CR-1	UNLESS OTHERWISE SPECIFIED: DIMENSIONS ARE IN INCHES: TOLERANCES ON: .0 ± .02 .00 ± .010 .000 ± .005 FRACTIONS ± 1/32 ANGLES ± 0.5° ALL SURFACES ✓				CORNELL UNIVERSITY Floyd R. Newman Laboratory Ithaca, NY 14853		
6080-130 SH. NO. 14 OF 27	6080-130 Field Cage Termination Plate 4						
CHECKED BY: D. Peterson	DRAWN BY: MDS	DRAWN FOR: D. Peterson	DATE: 1/8/2008	SCALE: Noted	D	6080-130 SH. NO. 14 OF 27	REV.

REVISIONS				
SYM.	ZONE	DESCRIPTION	DATE	APP.

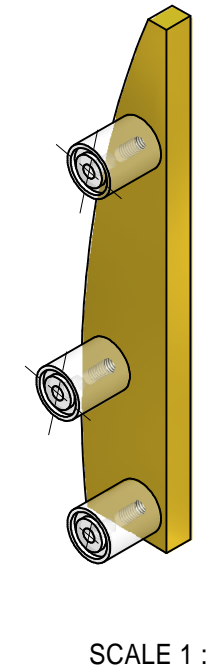
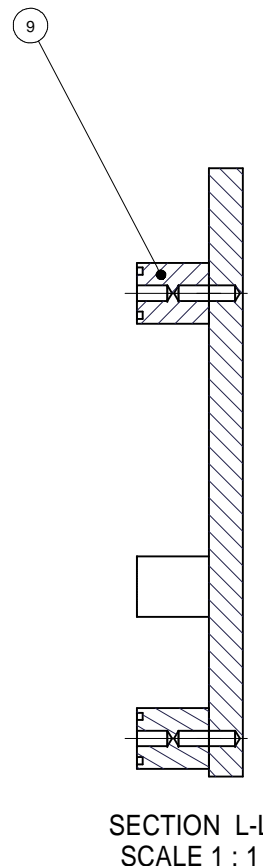
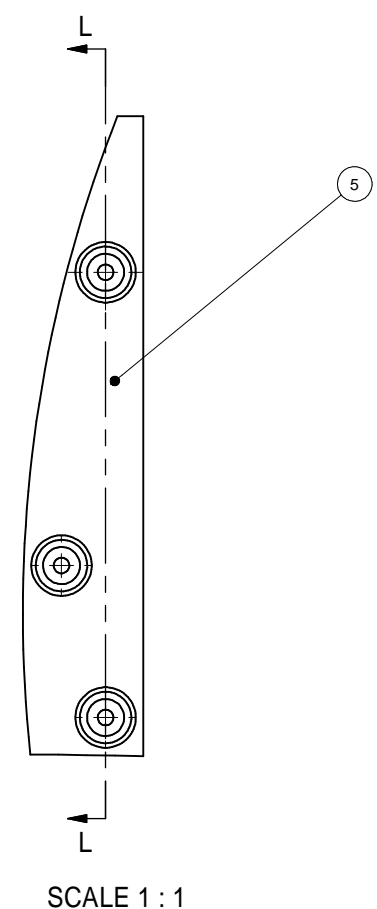


SECTION K-K  
SCALE 1 : 1

Material: G10/FR4, Copper Clad,  
1 ounce/square foot

ITEM	DWG. NO.	DESCRIPTION	G1	G2	G3	REMARKS	REV.	
			QUANTITY					
D	PRINT DISTR.	PLOT DATE: 12/2/2008 CAD FILE NAME: 6080-130 Field Cage Terminations.idw						
CR-1	6080-130 SH. NO. 15 OF 27	UNLESS OTHERWISE SPECIFIED: DIMENSIONS ARE IN INCHES: TOLERANCES ON: .0 ± .02 .000 ± .010 .000 ± .005 FRACTIONS ± 1/32 ANGLES ± 0.5° ALL SURFACES $\nabla$	 CORNELL UNIVERSITY Floyd R. Newman Laboratory Ithaca, NY 14853					
REV.	6080-130 Field Cage Termination Plate 4	CHECKED BY: D. Peterson APPROVED BY: D. Peterson	DRAWN BY: MDS	DRAWN FOR: D. Peterson	DATE: 1/8/2008	SCALE: Noted	D	6080-130 SH. NO. 15 OF 27

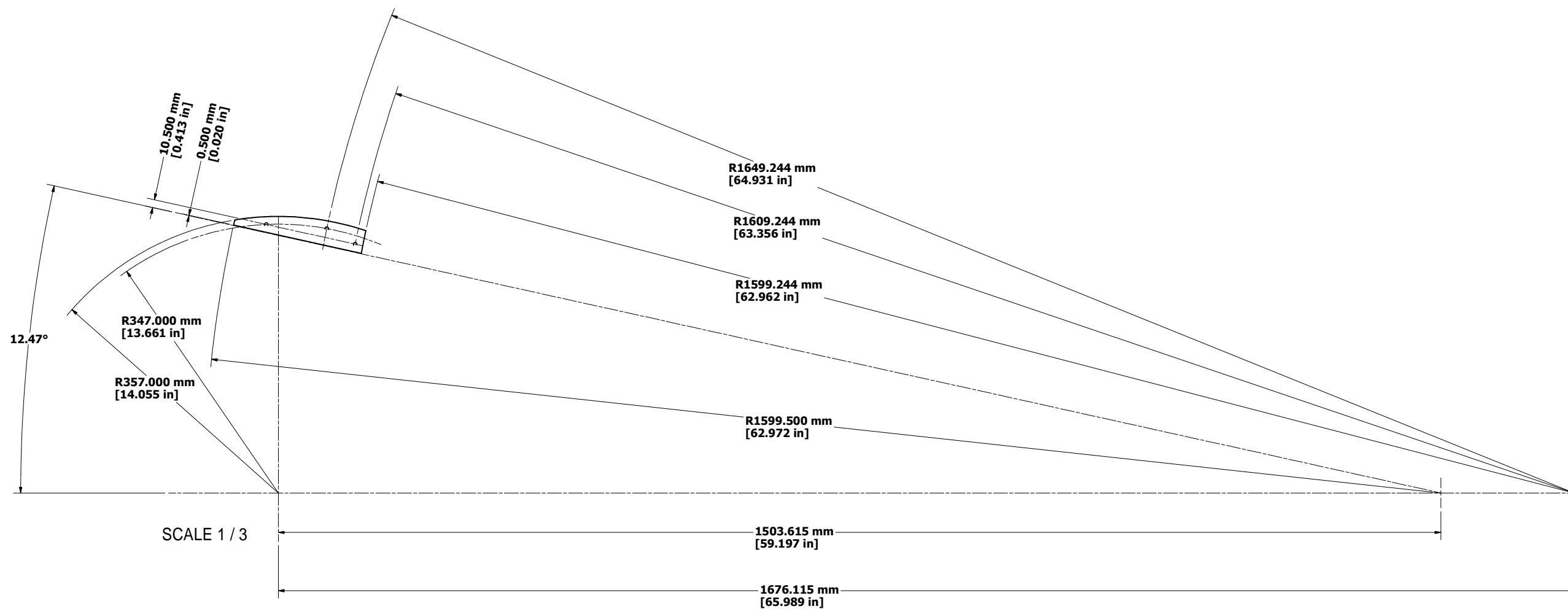
REVISIONS			
SYM.	ZONE	DESCRIPTION	DATE APP.



REV.	ITEM	DWG. NO.	DESCRIPTION	G1	G2	G3	REMARKS	REV.
				QUANTITY				
D	PRINT DISTR.	PLOT DATE: 12/2/2008 CAD FILE NAME: 6080-130 Field Cage Terminations.idw						
6080-130 SH. NO. 16 OF 27	CR-1	UNLESS OTHERWISE SPECIFIED: DIMENSIONS ARE IN INCHES: TOLERANCES ON: .0 ± .02 .00 ± .010 .000 ± .005 FRACTIONS ± 1/32 ANGLES ± 0.5° ALL SURFACES					CORNELL UNIVERSITY Floyd R. Newman Laboratory Ithaca, NY 14853	
			6080-135 Field Cage Termination Plate 5 Assembly					
	CHECKED BY: D. Peterson APPROVED BY: D. Peterson		DRAWN BY: MDS DRAWN FOR: D. Peterson				DATE: 1/8/2008 SCALE: Noted	D
								6080-130 SH. NO. 16 OF 27



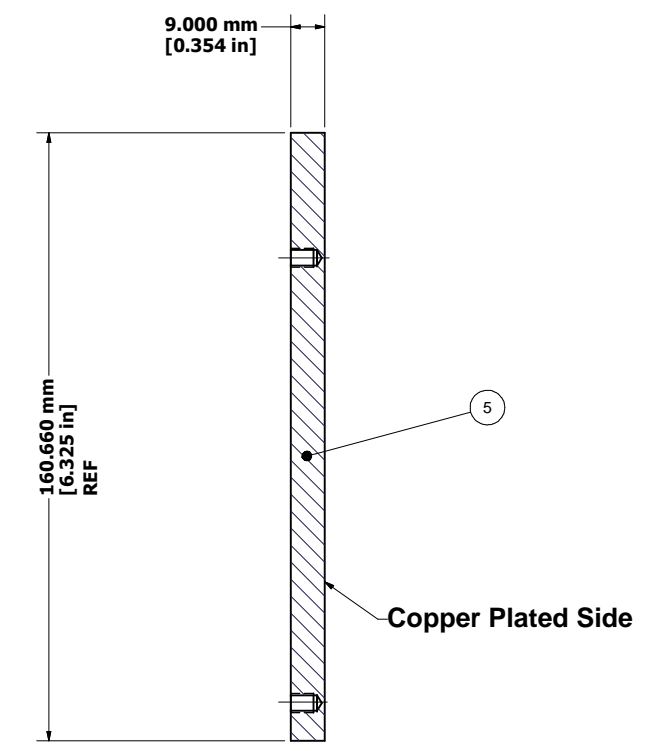
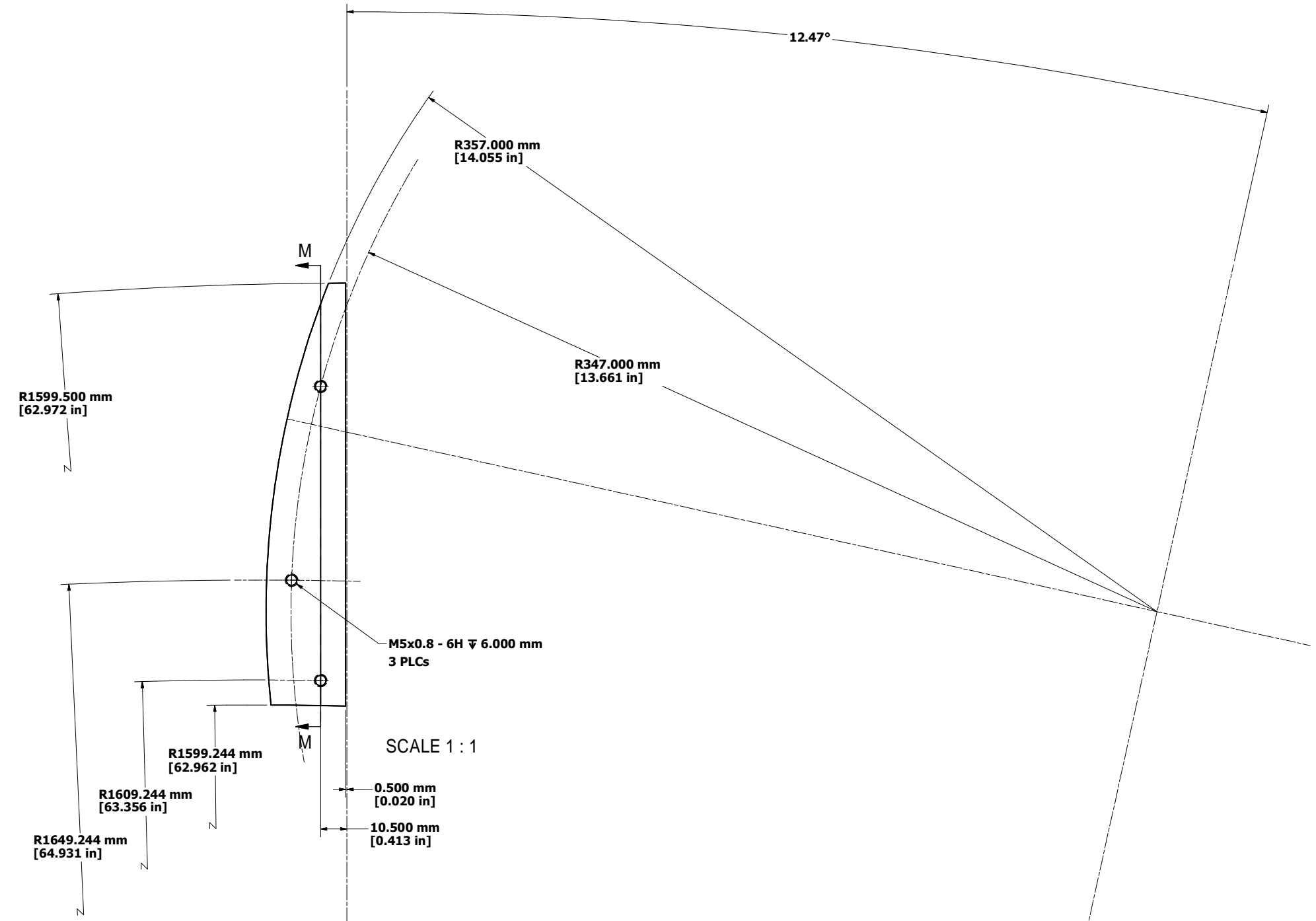
REVISIONS			
SYM.	ZONE	DESCRIPTION	DATE APP.



Material: G10/FR4, Copper Clad,  
1 ounce/square foot

ITEM	DWG. NO.	DESCRIPTION	G1	G2	G3	REMARKS	REV.
			QUANTITY				
PRINT DISTR.	PLOT DATE: 12/2/2008 CAD FILE NAME: 6080-130 Field Cage Terminations.idw						
CR-1	UNLESS OTHERWISE SPECIFIED: DIMENSIONS ARE IN INCHES: TOLERANCES ON: .0 ± .02 .00 ± .010 .000 ± .005 FRACTIONS ± 1/32 ANGLES ± 0.5° ALL SURFACES ✓					CORNELL UNIVERSITY Floyd R. Newman Laboratory Ithaca, NY 14853	
6080-130 SH. NO. 17 OF 27	6080-130 Field Cage Termination Plate 5						
REV.	CHECKED BY: D. Peterson	DRAWN BY: MDS	DRAWN FOR: D. Peterson	DATE: 1/8/2008	SCALE: Noted	D	6080-130 SH. NO. 17 OF 27

REVISIONS			
SYM.	ZONE	DESCRIPTION	DATE APP.

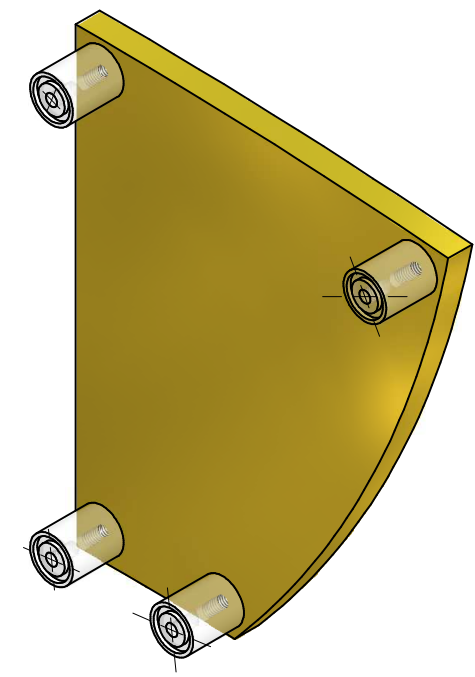
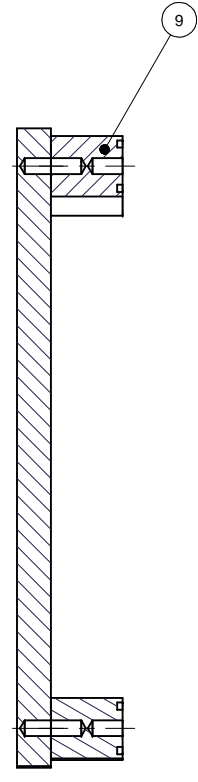
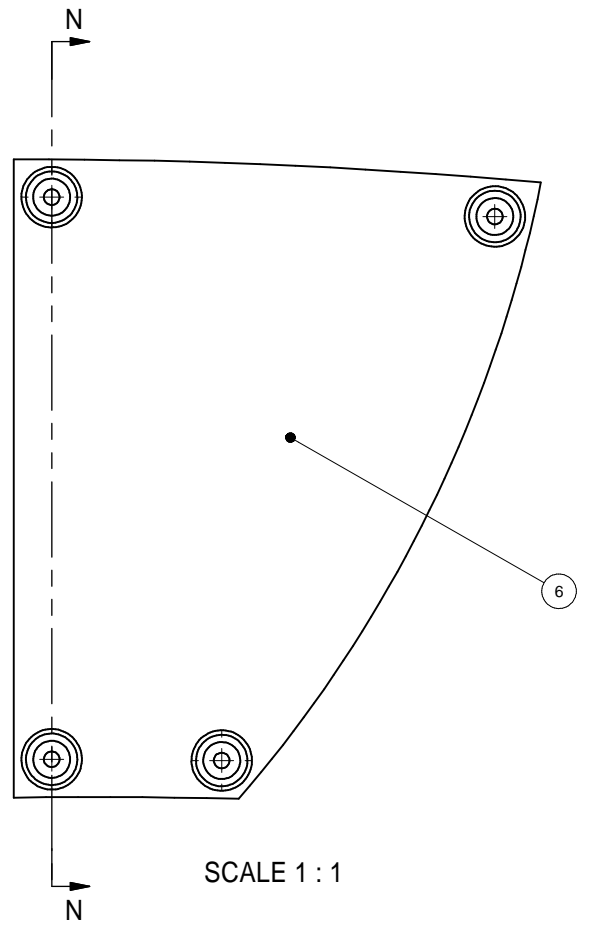


SECTION M-M  
SCALE 1:1

Material: G10/FR4, Copper Clad,  
1 ounce/square foot

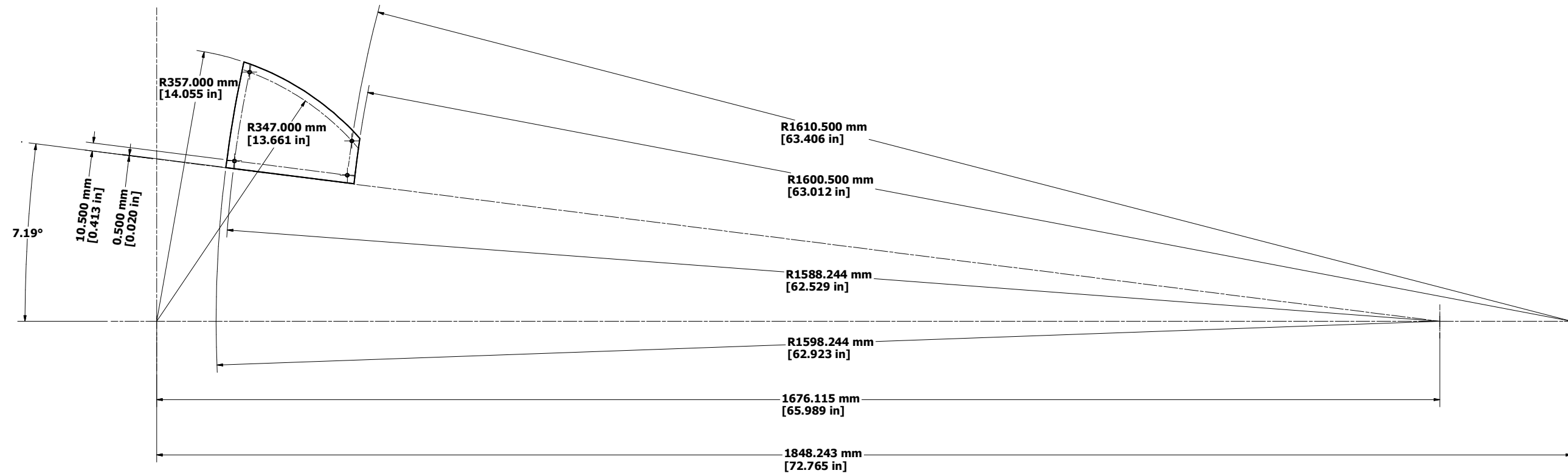
ITEM	DWG. NO.	DESCRIPTION	G1	G2	G3	REMARKS	REV.
			QUANTITY				
PRINT DISTR.	PLOT DATE: 12/2/2008 CAD FILE NAME: 6080-130 Field Cage Terminations.idw						
CR-1	UNLESS OTHERWISE SPECIFIED: DIMENSIONS ARE IN INCHES: TOLERANCES ON: .0 ± .02 .00 ± .010 .000 ± .005 FRACTIONS ± 1/32 ANGLES ± 0.5° ALL SURFACES $\nabla$		CORNELL UNIVERSITY Floyd R. Newman Laboratory Ithaca, NY 14853				
6080-130 SH. NO. 18 OF 27	6080-130 Field Cage Termination Plate 5		6080-130 SH. NO. 18 OF 27				
REV.	CHECKED BY: D. Peterson	DRAWN BY: MDS	DRAWN FOR: D. Peterson	DATE: 1/8/2008	SCALE: Noted	D	6080-130 SH. NO. 18 OF 27

REVISIONS			
SYM.	ZONE	DESCRIPTION	DATE APP.



ITEM	DWG. NO.	DESCRIPTION	G1	G2	G3	REMARKS	REV.	
			QUANTITY					
PRINT DISTR.	PLOT DATE: 12/2/2008 CAD FILE NAME: 6080-130 Field Cage Terminations.idw							
D 6080-130 SH. NO. 19 OF 27	CR-1	UNLESS OTHERWISE SPECIFIED: DIMENSIONS ARE IN INCHES: TOLERANCES ON: .0 ± .02 .00 ± .010 .000 ± .005 FRACTIONS ± 1/32 ANGLES ± 0.5° ALL SURFACES ✓			CORNELL UNIVERSITY Floyd R. Newman Laboratory Ithaca, NY 14853			
	6080-130 Field Cage Termination Plate 6 Assembly		CHECKED BY: D. Peterson APPROVED BY: D. Peterson	DRAWN BY: MDS	DRAWN FOR: D. Peterson	DATE: 1/8/2008	SCALE: Noted	D 6080-130 SH. NO. 19 OF 27

REVISIONS			
SYM.	ZONE	DESCRIPTION	DATE APP.

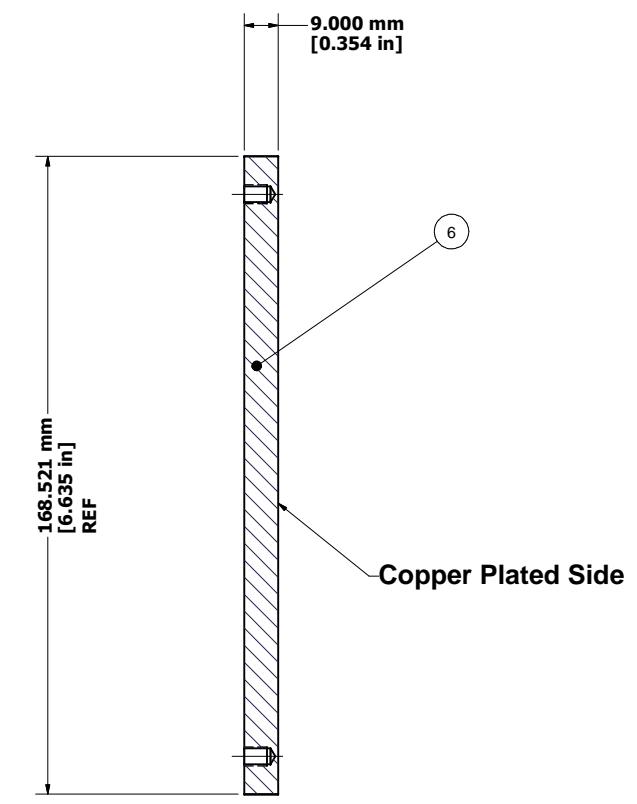
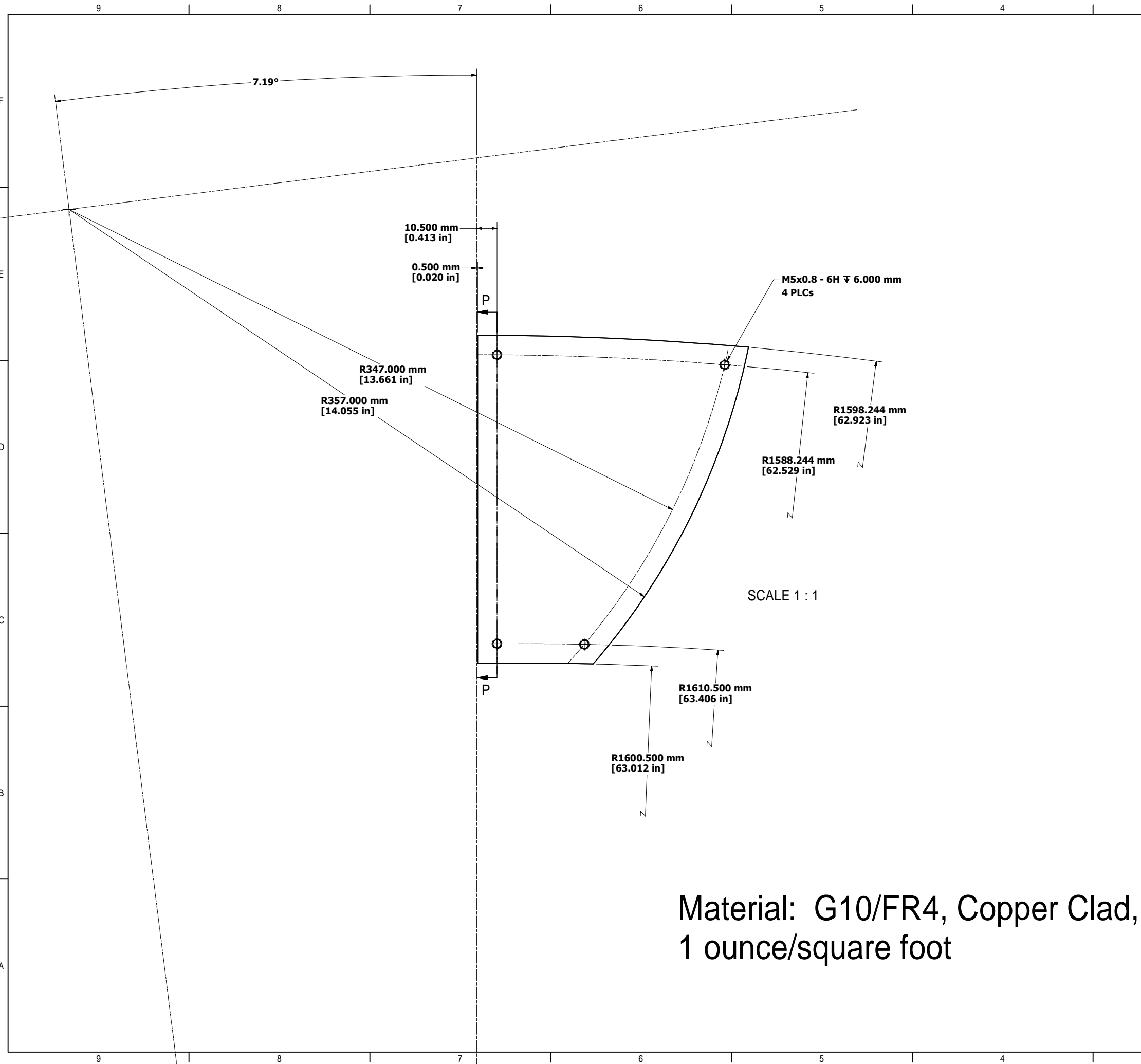


SCALE 1 / 3

Material: G10/FR4, Copper Clad,  
1 ounce/square foot

ITEM	DWG. NO.	DESCRIPTION	G1	G2	G3	REMARKS	REV.
			QUANTITY				
<b>D</b>	PRINT DISTR.	PLOT DATE: 12/2/2008 CAD FILE NAME: 6080-130 Field Cage Terminations.idw					
6080-130 SH. NO. 20 OF 27	CR-1	UNLESS OTHERWISE SPECIFIED: DIMENSIONS ARE IN INCHES: TOLERANCES ON: .0 ± .02 .00 ± .010 .000 ± .005 FRACTIONS ± 1/32 ANGLES ± 0.5° ALL SURFACES ✓				CORNELL UNIVERSITY Floyd R. Newman Laboratory Ithaca, NY 14853	
	6080-130 Field Cage Termination Plate 6						
REV.	CHECKED BY: D. Peterson APPROVED BY: D. Peterson	DRAWN BY: MDS	DRAWN FOR: D. Peterson	DATE: 1/8/2008	SCALE: Noted	<b>D</b>	6080-130 SH. NO. 20 OF 27

REVISIONS				
SYM.	ZONE	DESCRIPTION	DATE	APP.

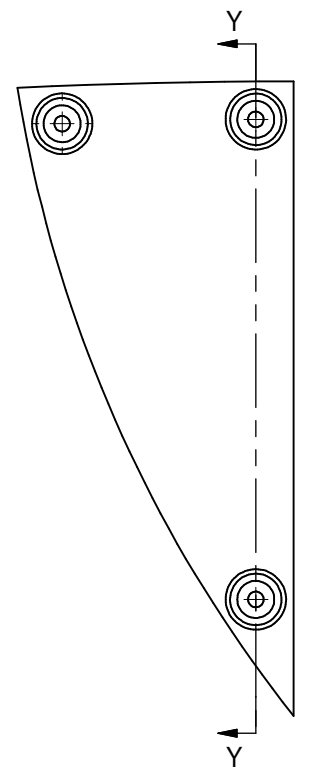


SECTION P-P  
SCALE 1 : 1

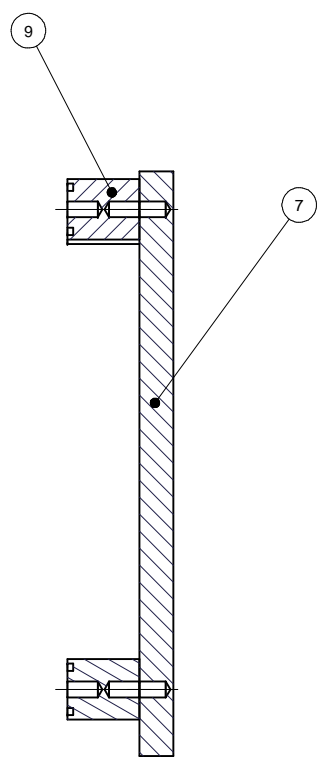
Material: G10/FR4, Copper Clad,  
1 ounce/square foot

ITEM	DWG. NO.	DESCRIPTION	G1	G2	G3	REMARKS	REV.
			QUANTITY				
PRINT DISTR.	PLOT DATE: 12/2/2008 CAD FILE NAME: 6080-130 Field Cage Terminations.idw						
CR-1	UNLESS OTHERWISE SPECIFIED: DIMENSIONS ARE IN INCHES: TOLERANCES ON: .0 ± .02 .00 ± .010 .000 ± .005 FRACTIONS ± 1/32 ANGLES ± 0.5° ALL SURFACES						CORNELL UNIVERSITY Floyd R. Newman Laboratory Ithaca, NY 14853
6080-130 SH. NO. 21 OF 27	6080-130 Field Cage Termination Plate 6		DRAWN BY MDS		DRAWN FOR D. Peterson	DATE 1/8/2008	SCALE D
REV.	APPROVED BY: D. Peterson		6080-130		SH. NO. 21 OF 27		REV.

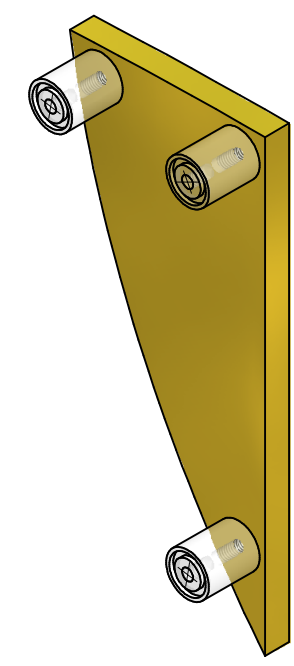
REVISIONS			
SYM.	ZONE	DESCRIPTION	DATE APP.



SCALE 1 : 1



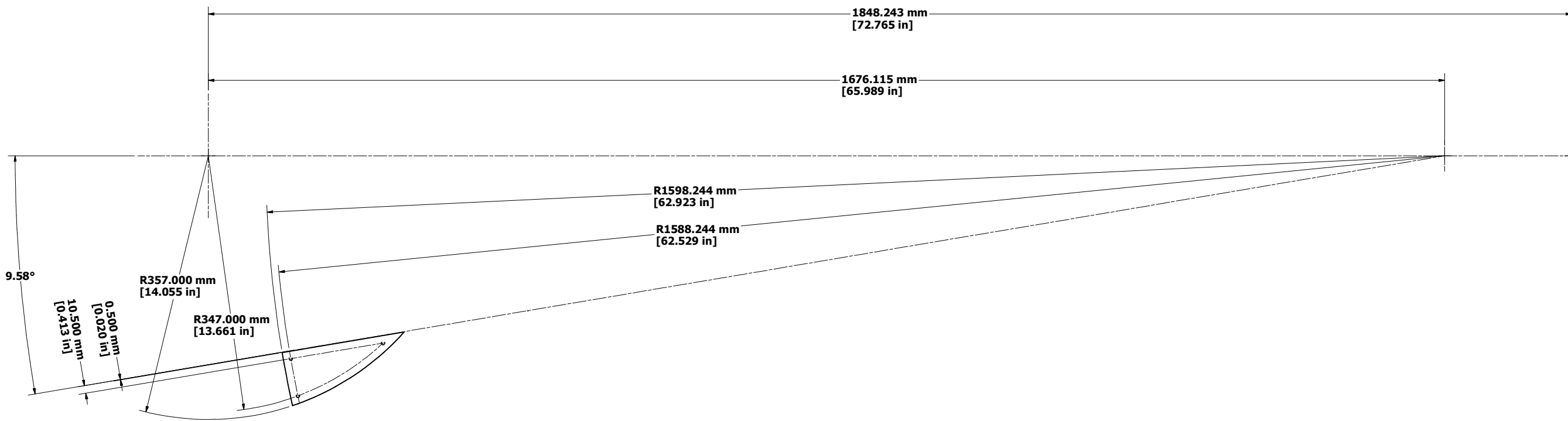
SECTION Y-Y  
SCALE 1 : 1



SCALE 1 : 1

ITEM	DWG. NO.	DESCRIPTION	G1	G2	G3	REMARKS	REV.
			QUANTITY				
PRINT DISTR.	PLOT DATE: 12/2/2008 CAD FILE NAME: 6080-130 Field Cage Terminations.idw						
D 6080-130 SH. NO. 22 OF 27	CR-1	UNLESS OTHERWISE SPECIFIED: DIMENSIONS ARE IN INCHES: TOLERANCES ON: .0 ± .02 .00 ± .010 .000 ± .005 FRACTIONS ± 1/32 ANGLES ± 0.5° ALL SURFACES				CORNELL UNIVERSITY Floyd R. Newman Laboratory Ithaca, NY 14853	
	6080-137 Field Cage Termination Plate 7 Assembly						
CHECKED BY: D. Peterson	DRAWN BY: MDS	DRAWN FOR: D. Peterson	DATE: 1/8/2008	SCALE: Noted	D	6080-130 SH. NO. 22 OF 27	REV.

REVISIONS				
SYM.	ZONE	DESCRIPTION	DATE	APP.

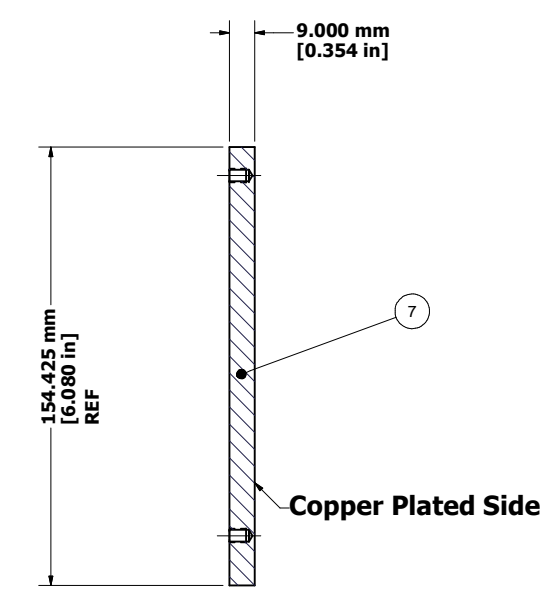
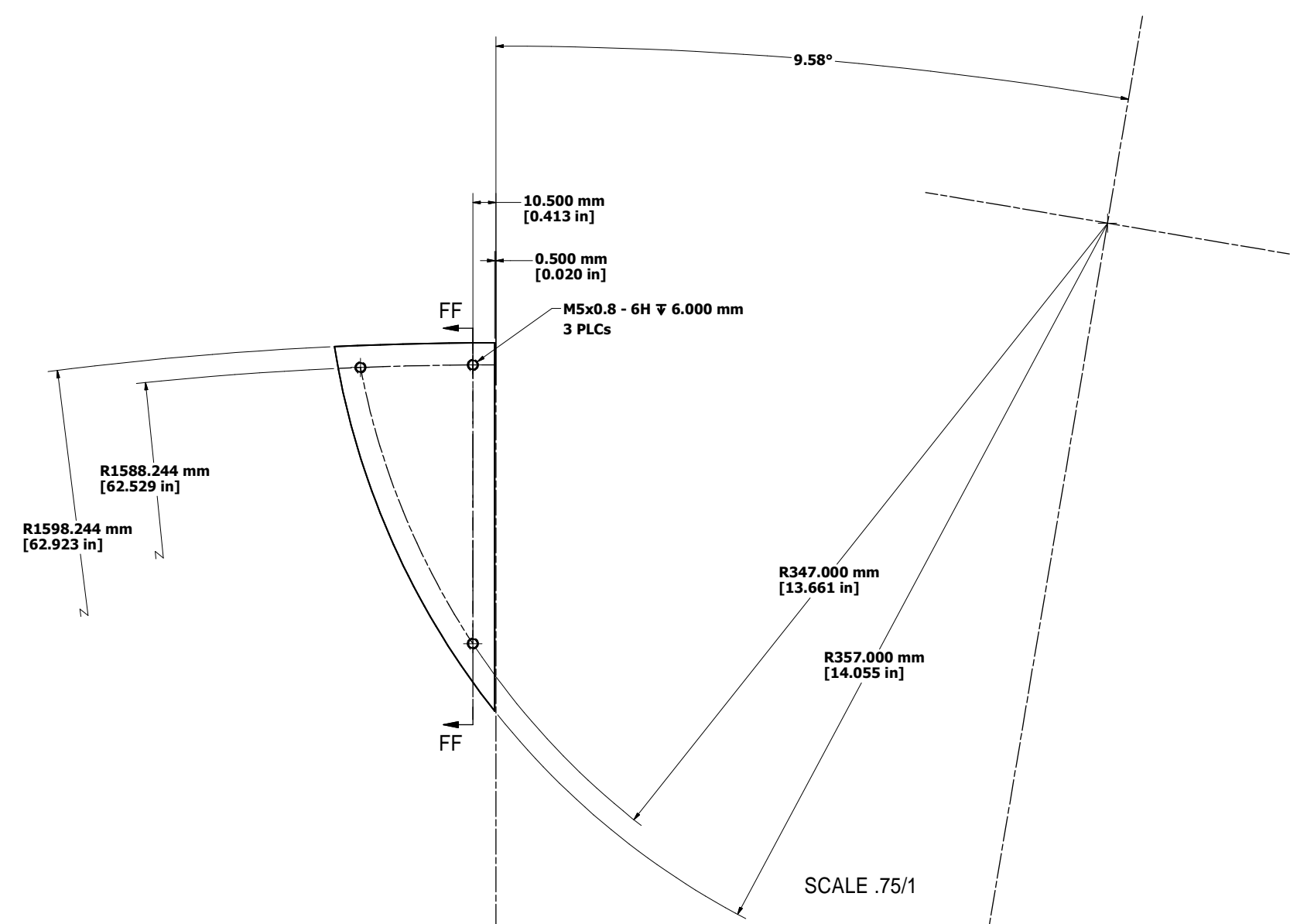


SCALE 1 / 3

Material: G10/FR4, Copper Clad,  
1 ounce/square foot

ITEM	DWG. NO.	DESCRIPTION	G1	G2	G3	REMARKS	REV.
			QUANTITY				
PRINT DISTR.	PLOT DATE: 12/2/2008 CAD FILE NAME: 6080-130 Field Cage Terminations.idw						
CR-1	UNLESS OTHERWISE SPECIFIED: DIMENSIONS ARE IN INCHES: TOLERANCES ON: .0 ± .02 .00 ± .010 .000 ± .005 FRACTIONS ± 1/32 ANGLES ± 0.5° ALL SURFACES ✓				CORNELL UNIVERSITY Floyd R. Newman Laboratory Ithaca, NY 14853		
6080-130 SH. NO. 23 OF 27	6080-130 Field Cage Termination Plate 7						
REV.	CHECKED BY: D. Peterson	DRAWN BY: MDS	DRAWN FOR: D. Peterson	DATE: 1/8/2008	SCALE: Noted	D	6080-130 SH. NO. 23 OF 27

REVISIONS				
SYM.	ZONE	DESCRIPTION	DATE	APP.



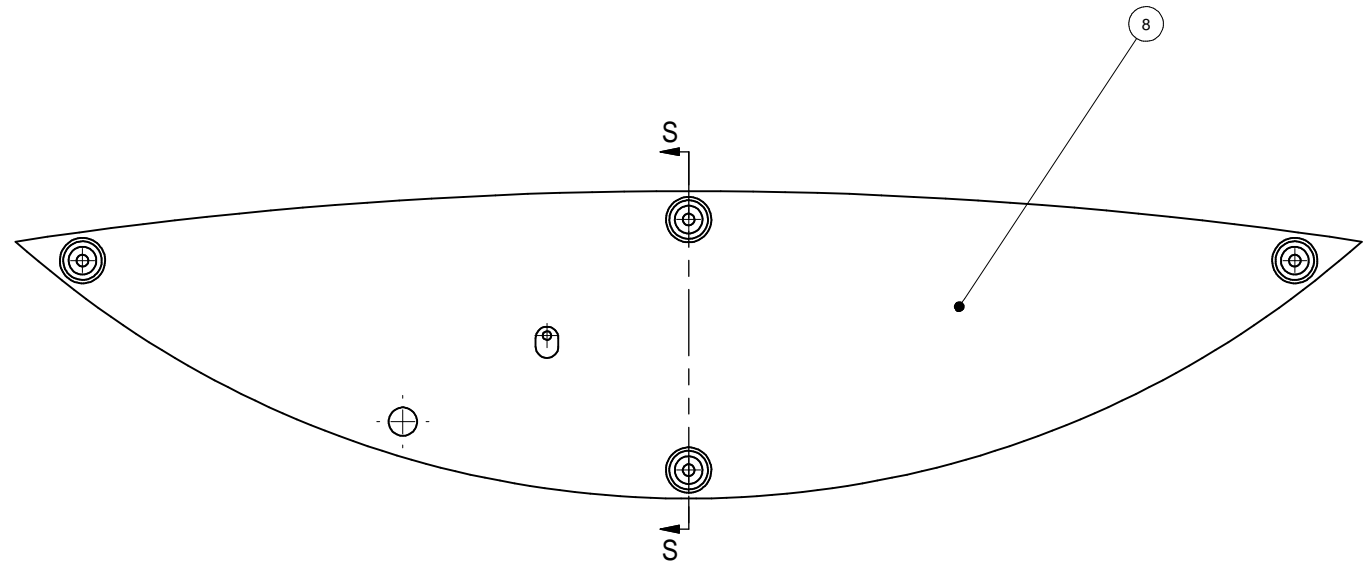
SECTION FF-FF  
SCALE .75/1

Material: G10/FR4, Copper Clad,  
1 ounce/square foot

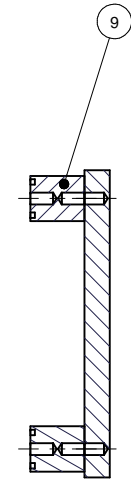
ITEM	DWG. NO.	DESCRIPTION	G1	G2	G3	REMARKS	REV.
			QUANTITY				
PRINT DISTR.	PLOT DATE: 12/2/2008 CAD FILE NAME: 6080-130 Field Cage Terminations.idw						
CR-1	6080-130	UNLESS OTHERWISE SPECIFIED: DIMENSIONS ARE IN INCHES: TOLERANCES ON: .0 ± .02 .00 ± .010 .000 ± .005 FRACTIONS ± 1/32 ANGLES ± 0.5° ALL SURFACES <input checked="" type="checkbox"/>			CORNELL UNIVERSITY Floyd R. Newman Laboratory Ithaca, NY 14853		
REV.	6080-130	6080-130	Field Cage Termination Plate 7		CHECKED BY: D. Peterson APPROVED BY: D. Peterson	DRAWN BY: MDS DRAWN FOR: D. Peterson	DATE: 1/8/2008 SCALE: D SH. NO. 24 OF 27



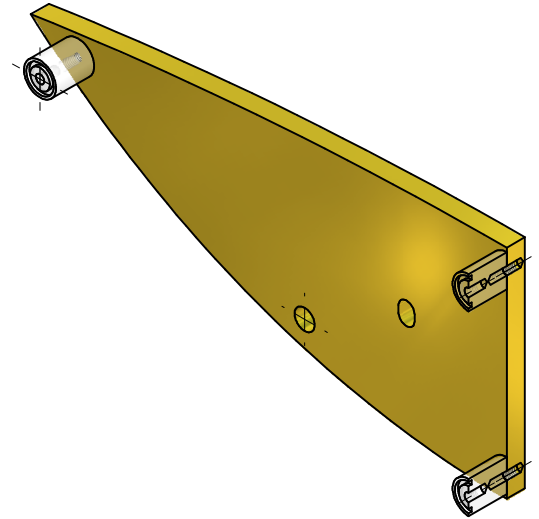
REVISIONS			
SYM.	ZONE	DESCRIPTION	DATE APP.



SCALE .75: 1

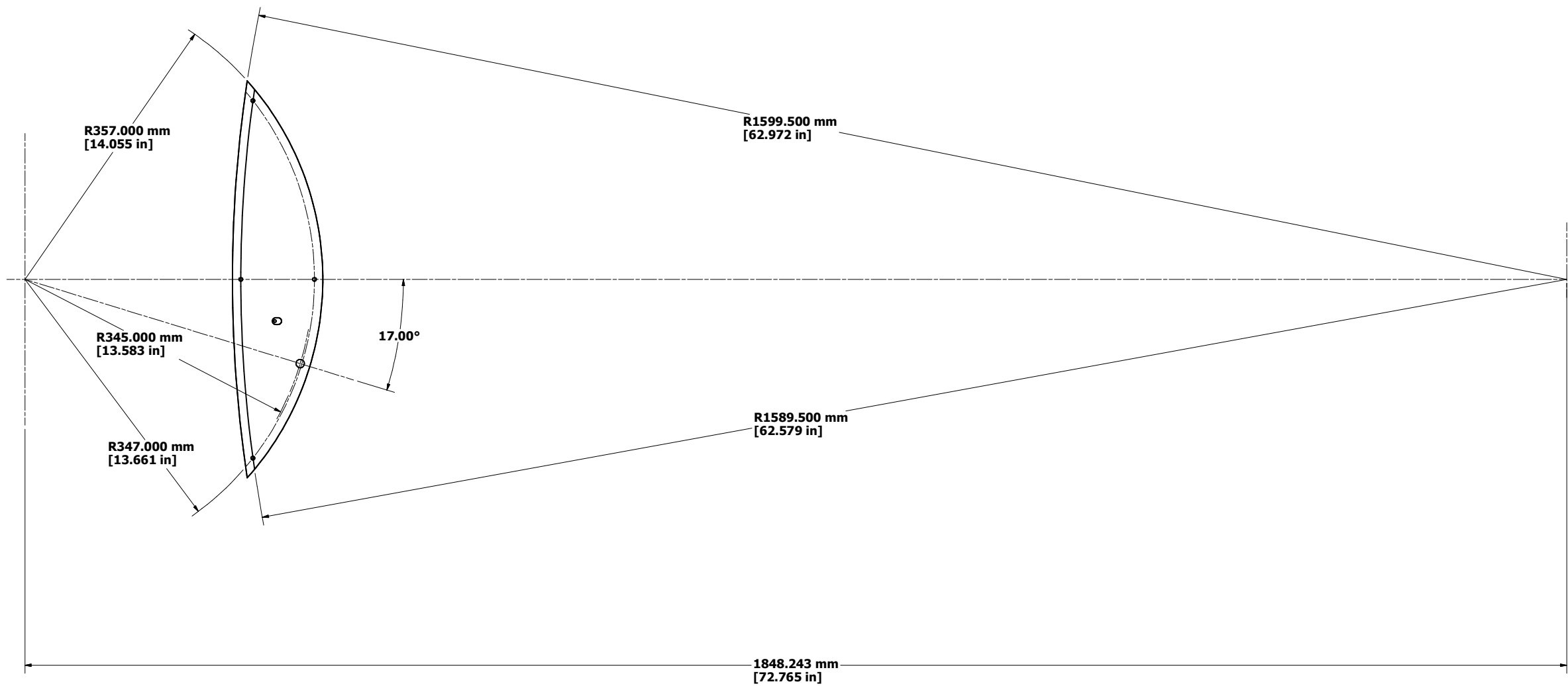


SECTION S-S  
SCALE .75: 1



ITEM	DWG. NO.	DESCRIPTION	G1	G2	G3	REMARKS	REV.
			QUANTITY				
PRINT DISTR.	PLOT DATE: 12/2/2008 CAD FILE NAME: 6080-130 Field Cage Terminations.idw						
6080-130 SH. NO. 25 OF 27	CR-1	UNLESS OTHERWISE SPECIFIED: DIMENSIONS ARE IN INCHES: TOLERANCES ON: .0 ± .02 .00 ± .010 .000 ± .005 FRACTIONS ± 1/32 ANGLES ± 0.5° ALL SURFACES			CORNELL UNIVERSITY Floyd R. Newman Laboratory Ithaca, NY 14853		
	6080-130 Field Cage Termination Plate 8 Assembly						
CHECKED BY: D. Peterson	DRAWN BY: MDS	DRAWN FOR: D. Peterson	DATE: 1/8/2008	SCALE: Noted	D	6080-130 SH. NO. 25 OF 27	REV.

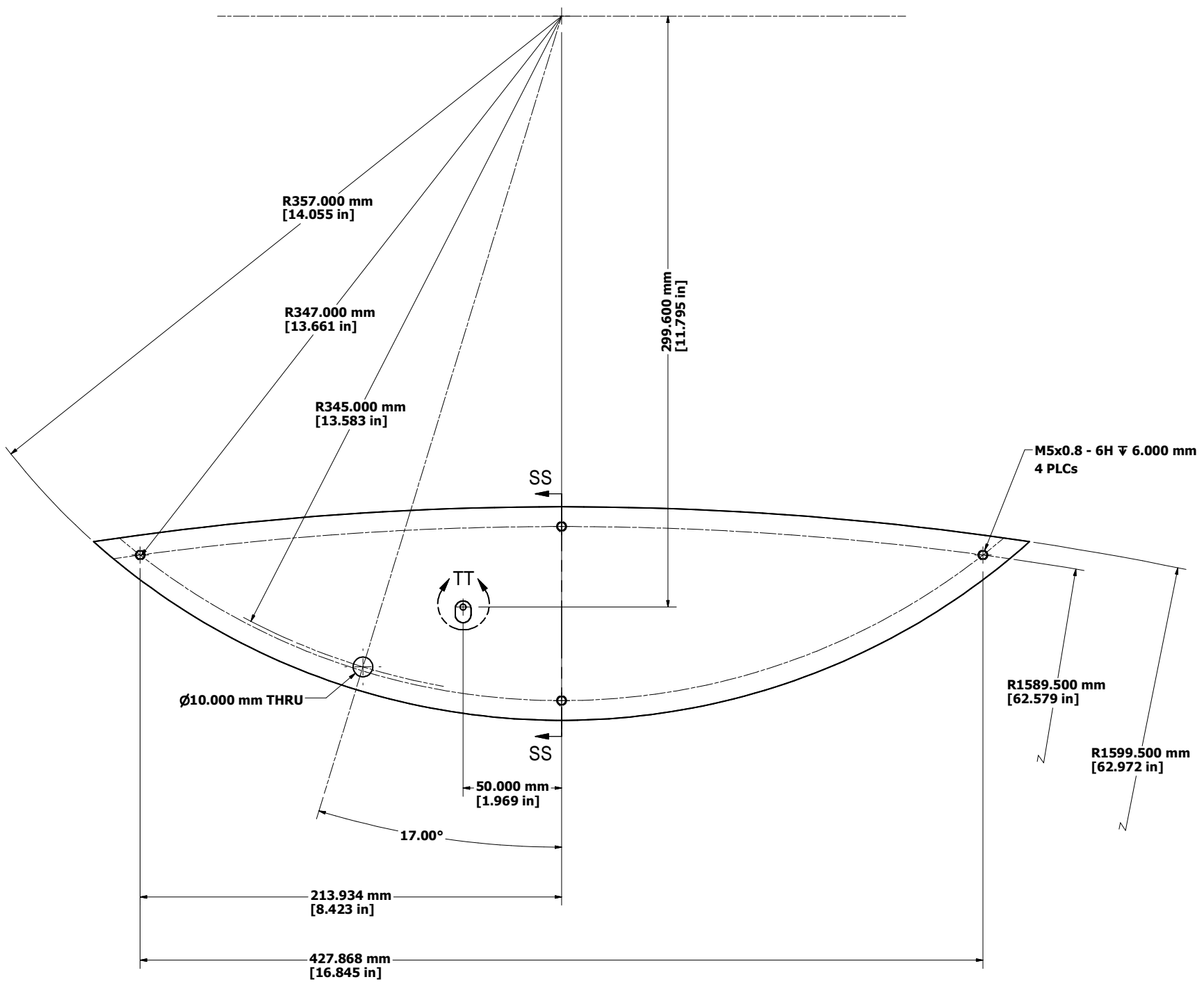
REVISIONS			
SYM.	ZONE	DESCRIPTION	DATE APP.



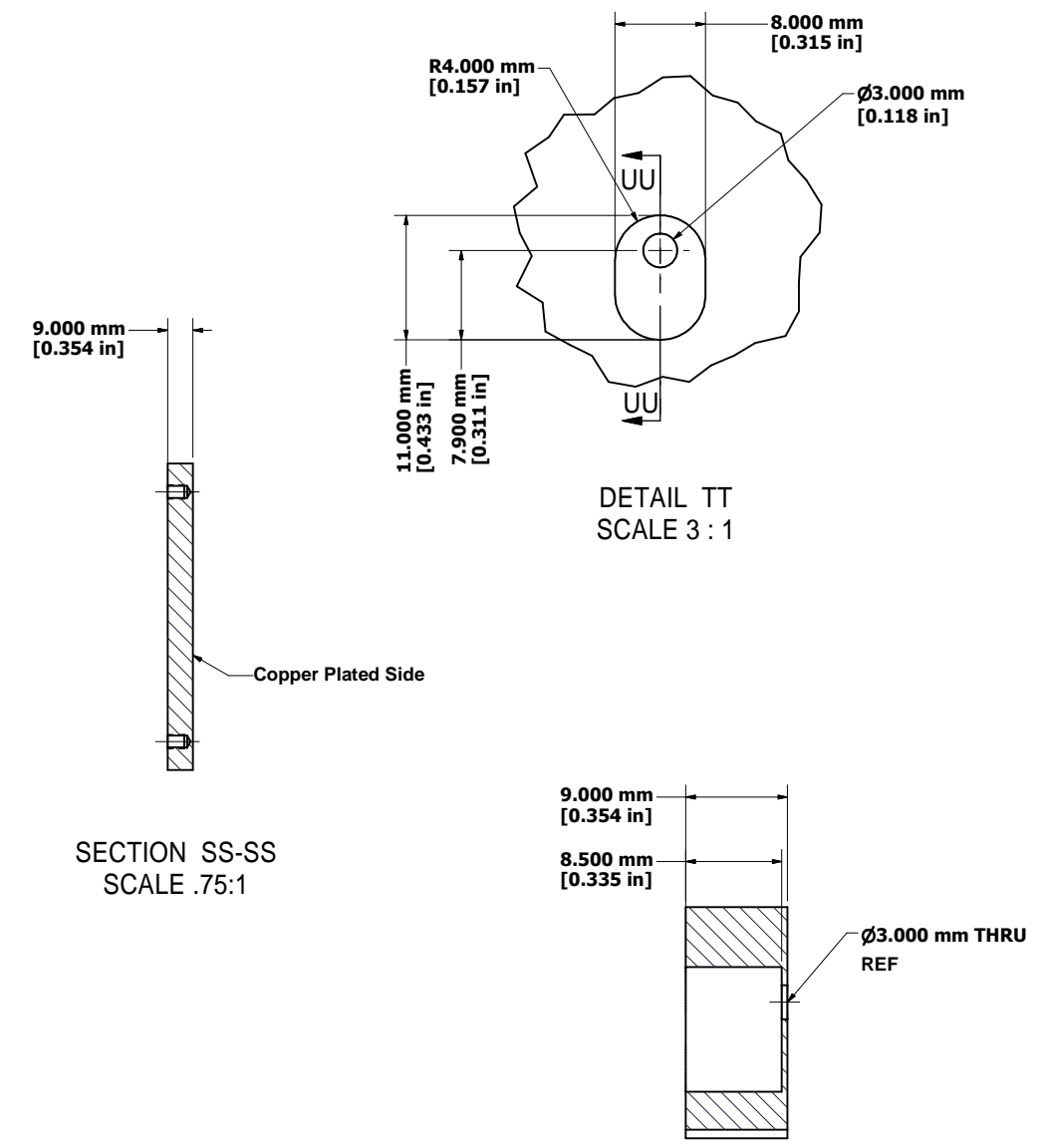
Material: G10/FR4, Copper Clad,  
1 ounce/square foot

ITEM	DWG. NO.	DESCRIPTION	G1	G2	G3	REMARKS	REV.
			QUANTITY				
PRINT DISTR.	PLOT DATE: 12/2/2008 CAD FILE NAME: 6080-130 Field Cage Terminations.idw						
CR-1	UNLESS OTHERWISE SPECIFIED: DIMENSIONS ARE IN INCHES: TOLERANCES ON: .0 ± .02 .00 ± .010 .000 ± .005 FRACTIONS ± 1/32 ANGLES ± 0.5° ALL SURFACES				CORNELL UNIVERSITY Floyd R. Newman Laboratory Ithaca, NY 14853		
6080-130 SH. NO. 26 OF 27	6080-130 Field Cage Termination Plate 8						
REV.	CHECKED BY: D. Peterson	DRAWN BY: MDS	DRAWN FOR: D. Peterson	DATE: 1/8/2008	SCALE: Noted	D	6080-130 SH. NO. 26 OF 27

REVISIONS				
SYM.	ZONE	DESCRIPTION	DATE	APP.



SCALE .75:1



Material: G10/FR4, Copper Clad,  
1 ounce/square foot

ITEM	DWG. NO.	DESCRIPTION	G1	G2	G3	REMARKS	REV.
			QUANTITY				
PRINT DISTR.	PLOT DATE: 12/2/2008 CAD FILE NAME: 6080-130 Field Cage Terminations.idw						
CR-1	UNLESS OTHERWISE SPECIFIED: DIMENSIONS ARE IN INCHES: TOLERANCES ON: .0 ± .02 .00 ± .010 .000 ± .005 FRACTIONS ± 1/32 ANGLES ± 0.5° ALL SURFACES $\nabla$		 CORNELL UNIVERSITY Floyd R. Newman Laboratory Ithaca, NY 14853				
6080-130 SH. NO. 27 OF 27	6080-138 Field Cage Termination Plate 8						
REV.	CHECKED BY: D. Peterson	DRAWN BY: MDS	DRAWN FOR: D. Peterson	DATE: 1/8/2008	SCALE: Noted	D	6080-130 SH. NO. 27 OF 27