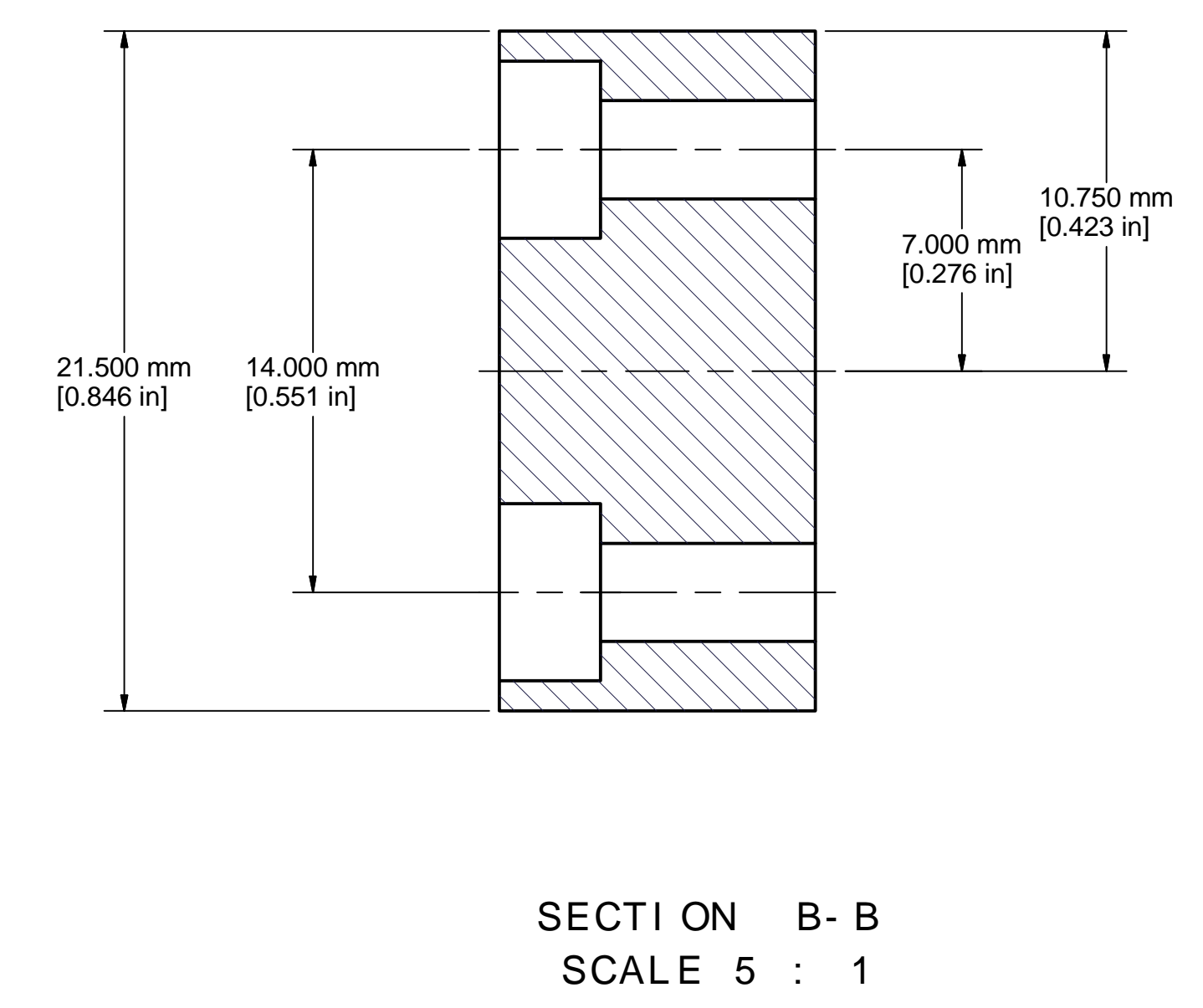
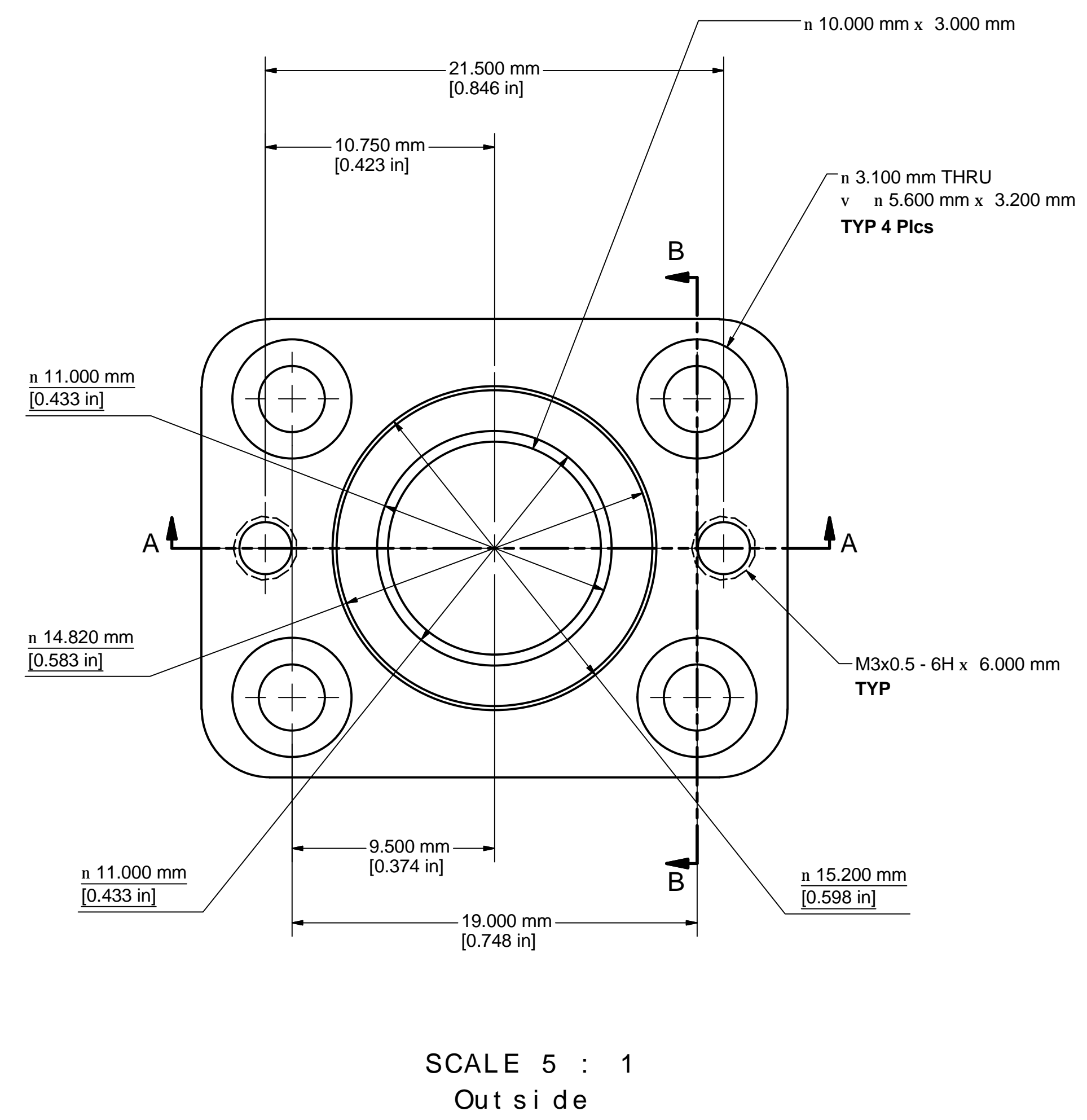
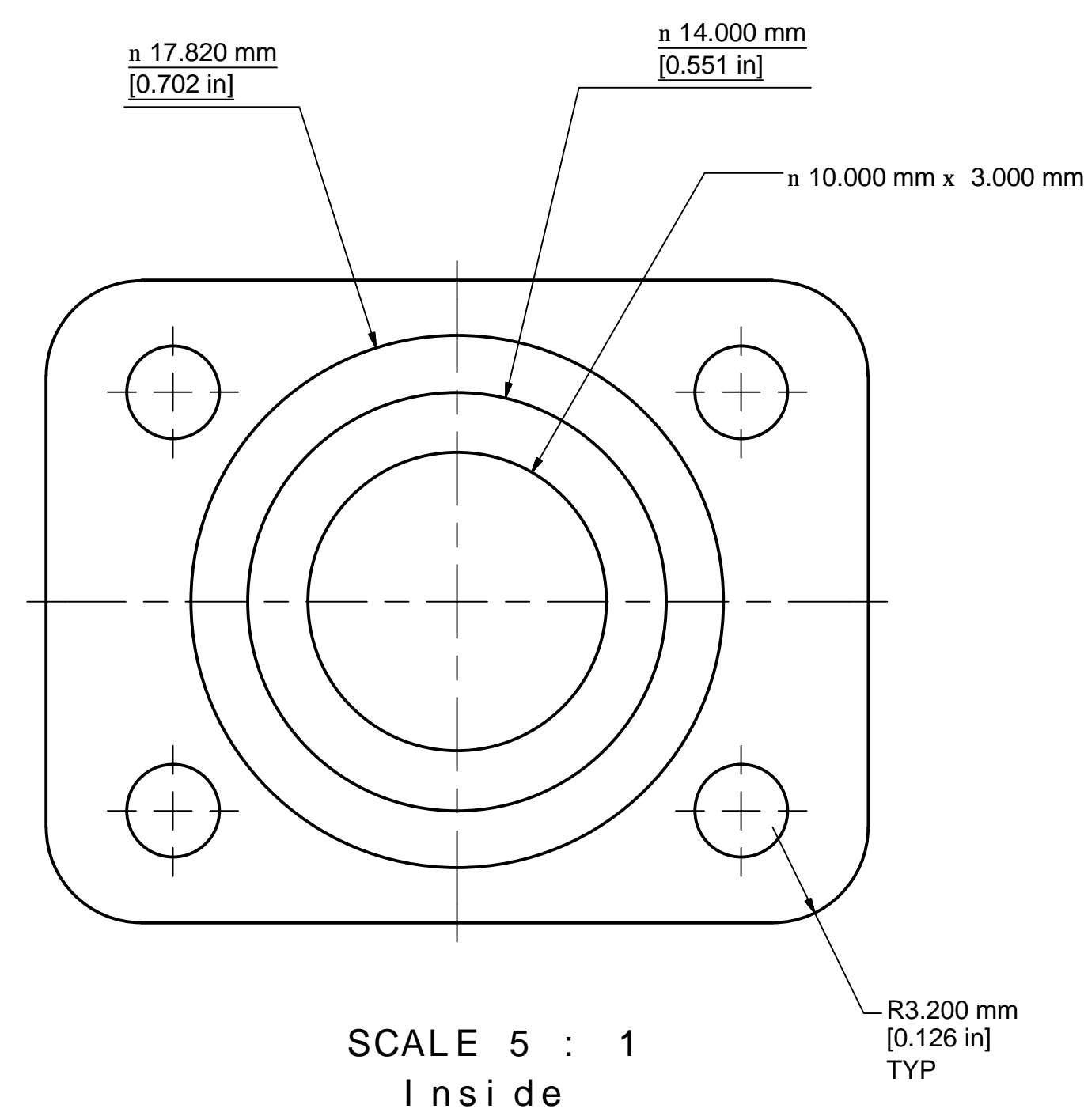
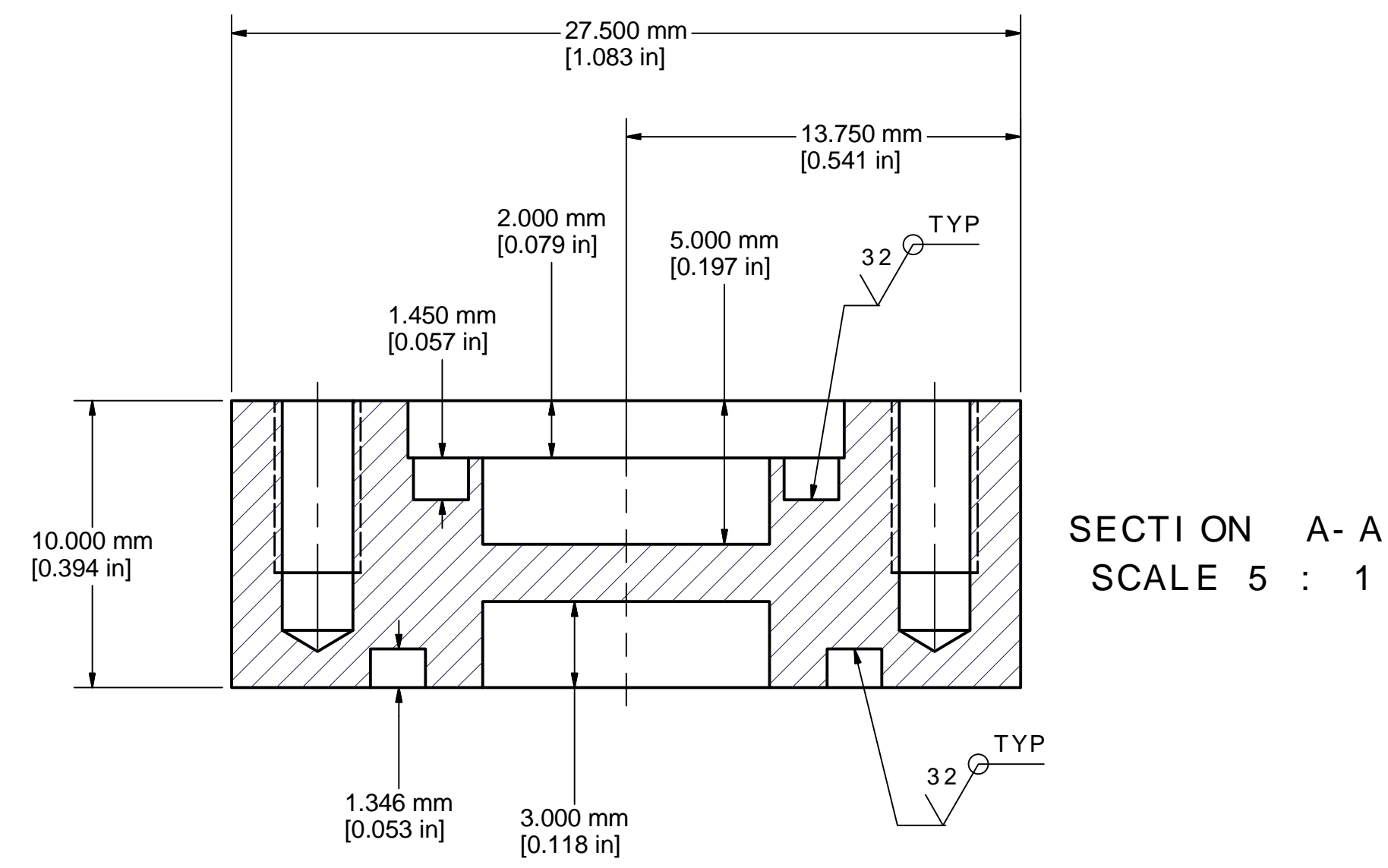


REVISIONS				
SYM	ZONE	DESCRIPTION	DATE	APP.
A		BACK ORING GROOVE WAS 1.45mm DP.	TMK082904	DPP
B	D4	3.100mm Dia. Hole C' Bore was 4.700mm 3.000mm Dp. TMK	100703	DPP



ITEM	DWG. NO.	DESCRIPTION	G1	G2	G3	REMARKS	REV.
			QUANTITY				
PRINT DI STR	PLOT DATE:10/7/2008 CAD FILE NAME:6080-128 Cover Laser Alignment.idw						
CR-1	UNLESS OTHERWISE SPECIFIED: DIMENSIONS ARE IN INCHES: TOLERANCES ON: .00-.02 .00-.010 .000-.005 FRACTIONS 1/32 ANGLES 0.5 ALL SURFACES	 CORNELL UNIVERSITY Floyd R. Newman Laboratory Ithaca, NY 14853	CORNELL UNIVERSITY Floyd R. Newman Laboratory Ithaca, NY 14853				
6080-128	COVER LASER ALIGNMENT						
REV.	CHECKED BY: Peterson	DRAWN BY: MDS	DRAWN FOR: Peterson	DATE: 2/7/2008	SCALE: Noted	D	6080-128 SH. NO.1 OF 1
	APPROVED BY: Peterson						B